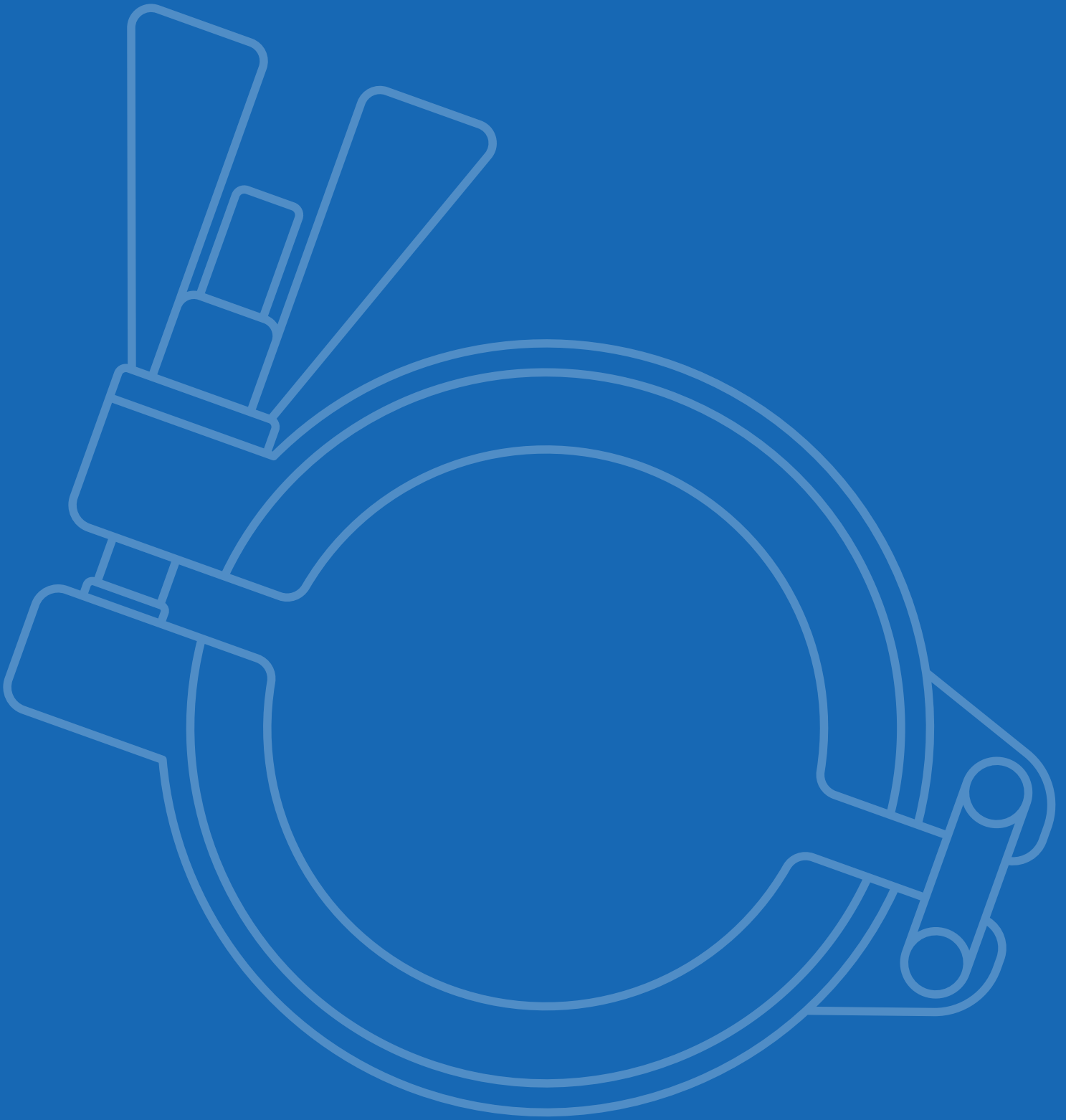


a.c | Advanced[®]
Couplings
Limited



Contents

1.0	Standard Clamps	4	4.0	In-line Sight Glasses	30
1.1	SH Clamp 316 - Single bolt , double hinge – 13MHHM	4	4.1	CT-SVFI-SHX - Clamp-type Sterile Visual Flow Indicator	30
1.2	SH Clamp 316 - Double bolt – 13MHHM	5	4.2	SVFI - Sterile Visual Flow Indicator	31
1.3	Euro Pure® Clamp 316L - Sanitary tri-clamp, EU origin – MHP	6	4.3	DIN SVFI - DIN 32676 Sterile Visual Flow Indicator	32
1.4	ASME VIII Pressure Vessel Clamp 316 - 13ASME	7	4.4	FVFI - Full View Flow Indicator	33
2.0	Safety Clamps	8	5.0	Gaskets	34
2.1	SH Safety Clamp 316 - Wing nut, double hinge – 13MHHM	8	5.1	BS 4825 Gaskets	34
2.2	SH Safety Clamp 316 - Hex nut, double hinge - 13MHHM	9	5.2	BS Schedule 5 Gaskets	35
2.3	SH Safety Clamp 316 - Shrouded - 13MHHM	10	5.3	BS Schedule 10 Gaskets	36
2.4	SH Safety Clamp 316 - Lockout - 13MHHM	11	5.4	BS Schedule 40 Gaskets	37
2.5	SH Safety Clamp 316 - Double bolt - 13MHHM	12	5.5	DIN 32676 Gaskets	38
3.0	Ferrules	13	5.6.1	ISO 1127 Gaskets - Standard	39
3.1	BS 4825 Part 3 Ferrules	13	5.6.2	ISO 1127 Gaskets - Variations	40
3.2	BS Schedule 5 Ferrules	14	5.7	ISO 2037 Gaskets - Series 1 & 2	41
3.3	BS Schedule 10 Ferrules	15	5.8	Mini Series Gaskets	42
3.4	BS Schedule 40 Ferrules	16	5.9	Metal Detectable Gaskets - EPDM Blue / EPDM Black	43
3.5	ASME BPE Ferrules	17	6.0	Adaptors	44
3.6.1	DIN 32676 Table A Ferrules - Short	18	6.1.1	BSP Male Adaptors - Imperial	44
3.6.2	DIN 32676 Table A Ferrules - Long	19	6.1.2	BSP Male Adaptors - Metric	45
3.6.3	DIN 32676 Table B Ferrules - Short	20	6.1.3	BSP Female Adaptors - Imperial	46
3.6.4	DIN 32676 Table B Ferrules - Long	21	6.1.4	BSP Female Adaptors - Metric	47
3.6.5	DIN 32676 Table C Ferrules - Short	22	6.2.1	NPT Male Adaptors - Imperial	48
3.6.6	DIN 32676 Table C Ferrules - Long	23	6.2.2	NPT Male Adaptors - Metric	49
3.7.1	ISO 1127 Ferrules - Standard	24	6.2.3	NPT Female Adaptors - Imperial	50
3.7.2	ISO 1127 Ferrules - Variations	25	6.2.4	NPT Female Adaptors - Metric	51
3.8	Mini-series Ultra-bore Ferrules - Metric & Imperial	26	7.0	Hosetails	52
3.9	SMS 3008/3017 Ferrules	27	7.1	Hosetails - Imperial	52
3.10	SWG Ferrules	28	7.2	Hosetails - Metric	53
3.11	MPW Tank Ferrules	29			

1.1

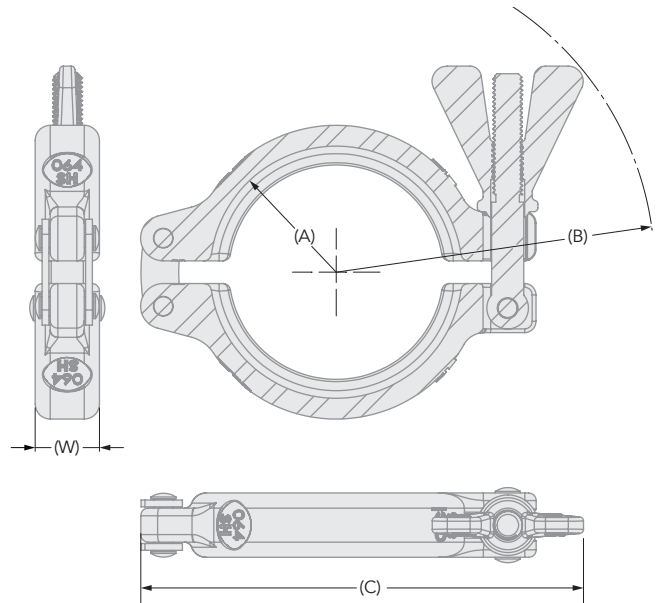
SH Clamp 316

Single bolt, double hinge – 13MHHM

Material
316 / 1.4308

Application
Pharmaceutical

Hinge Layout
Double Rivet Hinge Plate



SH Clamps – Single Bolt

Part Number	Nominal Size			Dimension (mm)				Weight (kg)	MAWP Bar (g)	Legacy Part Number
	Imperial	Metric	ISO	Flange (A)	Radius (B)	Length (C)	Width (W)			
SHWN0002506	½"	DN6-8	DN8-10	25.40	65.00	75.00	17.00	0.17	50	CL.SH.0050
SHWN0003406	DN10	DN10-20		34.00	67.00	85.00	17.00	0.21	50	CL.SH.D010
SHWN0005006	1½"	DN25-40	DN15-25	50.50	77.00	102.00	17.00	0.27	50	CL.SH.0100
SHWN0006406	2"	DN50	DN32-40	64.00	93.00	123.00	17.00	0.34	50	CL.SH.0200
SHWN0007706	2½"		DN50	77.50	100.00	140.00	17.00	0.38	50	CL.SH.0250
SHWN0009106	3"	DN65	DN65	91.00	105.00	150.00	17.00	0.44	40	CL.SH.0300
SHWN0010606	3½"	DN80	DN80	106.00	110.00	165.00	17.00	0.49	40	CL.SH.0350
SHWN0011906	4"	DN100		119.00	119.00	185.00	17.00	0.53	35	CL.SH.0400
SHWN0013006	4½"		DN100	130.00	119.00	191.00	17.00	0.57	30	CL.SH.0450
SHWN0014406	5"			144.00	131.00	215.00	19.00	0.80	30	CL.SH.0500
SHWN0015506	5½"	DN125	DN125	155.00	155.00	252.00	24.00	1.41	30	CL.SH.0550
SHWN0016706	6"			167.00	156.00	262.00	24.00	1.43	30	CL.SH.0600
SHWN0018306	6⅝"	DN150	DN150	183.00	164.00	280.00	24.00	1.62	25	CL.SH.0658
SHWN0021706	8"			217.00	184.00	325.00	24.00	2.26	20	CL.SH.0800
SHWN0023306	8⅝"	DN200	DN200	233.00	185.00	326.00	24.00	2.38	20	CL.SH.0858
SHWN0026806	10"	DN250		267.00	196.00	366.00	24.00	2.8	16	CL.SH.1000
SHWN0028606	10⅝"		DN250	286.00	205.00	384.00	24.00	2.98	16	CL.SH.1058
SHWN0031906	12"	DN300		319.00	231.00	430.00	24.00	3.55	10	CL.SH.1200
SHWN0033806	12⅝"		DN300	338.00	228.00	425.00	24.00	3.47	10	CL.SH.1258

QR CODE

[Back to Contents](#)

advanced-couplings.com

1.2

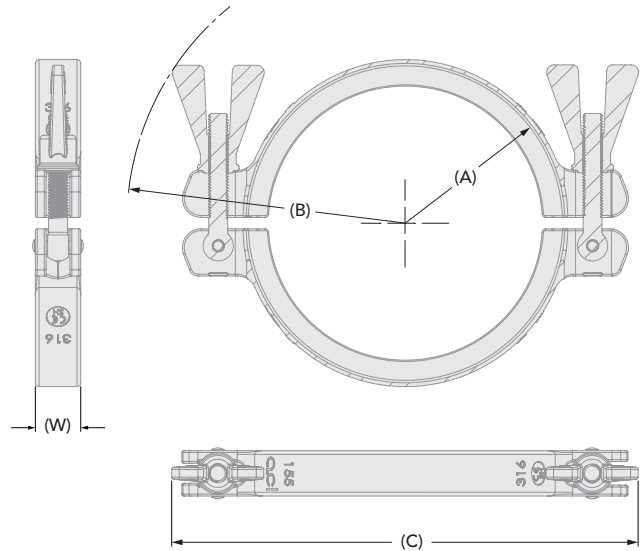
SH Clamp 316

Double bolt – 13MHHM

Material
316 / 1.4401

Application
Pharmaceutical

Hinge Layout
Length Adjustable Eyebolt



SH Clamps – Double Bolt

Part Number	Nominal Size			Dimension (mm)				Weight (kg)	MAWP Bar (g)	Legacy Part Number
	Imperial	Metric	ISO	Flange (A)	Radius (B)	Length (C)	Width (W)			
SHWNDW07706	2½"		DN50	77.50	75.70	123.80	19.00	0.38	50	CL.SHD.0250
SHWNDW09106	3"	DN65	DN65	91.00	80.90	136.30	19.00	0.44	40	CL.SHD.0300
SHWNDW10606	3½"	DN80	DN80	106.00	87.30	151.30	19.00	0.44	40	CL.SHD.0350
SHWNDW11906	4"	DN100		119.00	93.00	164.30	19.00	0.57	35	CL.SHD.0400
SHWNDW13006	4½"		DN100	130.00	87.40	176.60	19.00	0.60	30	CL.SHD.0450
SHWNDW14406	5"			144.00	106.10	193.50	19.00	0.75	30	CL.SHD.0500
SHWNDW15506	5½"	DN125	DN125	155.00	155.00	265.00	24.00	1.47	30	CL.SHD.0550
SHWNDW16706	6"			167.00	156.00	277.00	24.00	1.67	30	CL.SHD.0600
SHWNDW18306	6½"	DN150	DN150	183.00	164.00	297.00	24.00	1.69	25	CL.SHD.0658
SHWNDW21706	8"			217.00	184.00	332.00	24.00	2.19	20	CL.SHD.0800
SHWNDW23306	8⅝"	DN200	DN200	233.00	185.00	353.00	24.00	2.34	20	CL.SHD.0858
SHWNDW26806	10"	DN250		267.00	205.00	382.00	24.00	2.78	16	CL.SHD.1000
SHWNDW28606	10⅝"		DN250	286.00	213.00	405.00	24.00	2.97	16	CL.SHD.1058
SHWNDW31906	12"	DN300		319.00	242.00	458.00	24.00	3.69	10	CL.SHD.1200
SHWNDW33806	12⅝"		DN300	338.00	243.00	463.00	24.00	3.37	10	CL.SHD.1258

QR CODE

1.3

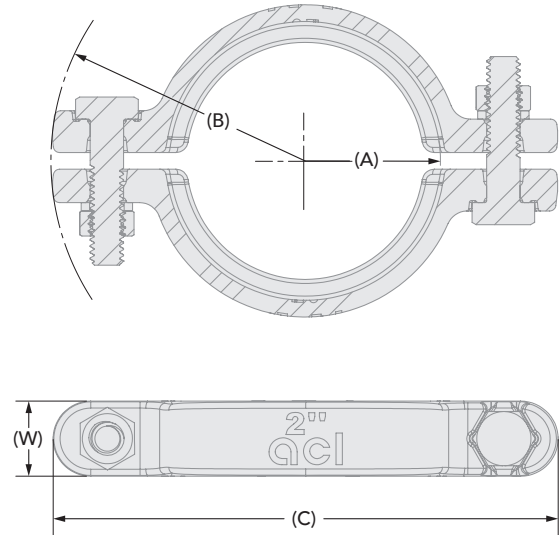
Euro Pure® Clamp 316L

Sanitary tri-clamp, EU origin – 13MHP

Material
316L

Application
Pharmaceutical

Hinge Layout
Separate Segments



Euro Pure® Clamps

Part Number	Nominal Size			Dimension (mm)				Weight (kg)	MAWP Bar (g)	Legacy Part Number
	Imperial	Metric	ISO	Flange (A)	Radius (B)	Length (C)	Width (W)			
EPHX0002506	½"	DN6-8	DN8-10	25.40	38.00	73.00	18.00	0.20	140	CL.EP.0050
EPHX0003406	DIN 10	DN10-20		34.00	42.00	80.00	18.00	0.24	125	CL.EP.D010
EPHX0005006	1½"	DN25-40	DN15-25	50.50	52.00	94.00	18.00	0.27	95	CL.EP.0100
EPHX0006406	2"	DN50	DN32-40	64.00	61.00	121.00	18.00	0.32	70	CL.EP.0200
EPHX0007706	2½"		DN50	77.50	68.00	132.00	18.00	0.36	50	CL.EP.0250
EPHX0009106	3"	DN65	DN65	91.00	73.00	141.00	18.00	0.39	40	CL.EP.0300
EPHX0010606	3½"	DN80	DN80	106.00	82.00	159.00	18.00	0.44	25	CL.EP.0350
EPHX0011906	4"	DN100		119.00	89.00	170.00	18.00	0.48	20	CL.EP.0400

QR CODE

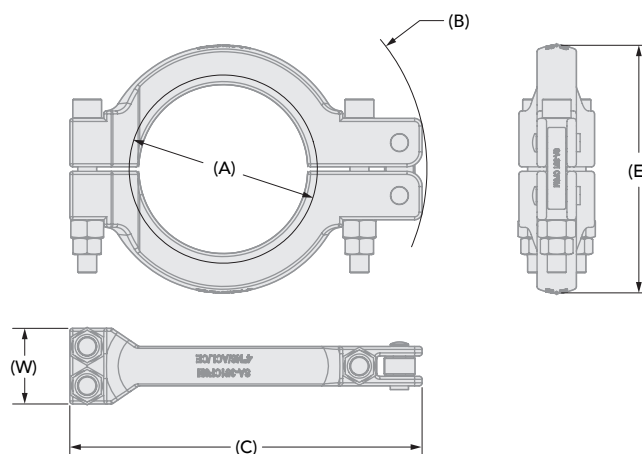
1.4

ASME VIII Pressure Vessel Clamp 316 13ASME

Material
316 / 1.4401

Application
Pressure Vessel

Hinge Layout
Hinge Plate & Safety Bolt



ASME VIII Pressure Vessel Clamps

Part Number	Nominal Size			Dimension (mm)				Weight (kg)	MAWP Bar (g)	Legacy Part Number
	Imperial	Metric	ISO	Flange (A)	Radius (B)	Length (C)	Width (W)			
ASHX0005006	1½"	DN25-40	DN15-25	50.50	85.00	145.00	50.00	1.80	167	CLAS8.0100
ASHX0006406	2"	DN50	DN32-40	64.00	97.00	163.00	50.00	1.96	90	CLAS8.0200
ASHX0009106	3"	DN65	DN65	91.00	115.00	203.00	50.00	3.20	90	CLAS8.0300
ASHX0011906	4"	DN100		119.00	135.00	233.00	50.00	3.68	57	CLAS8.400
ASHX0016706	6"			167.00	160.00	281.00	50.00	4.70	22	CLAS8.600
ASHX0018306	6⅝"	DN150	DN150	183.00	170.00	300.00	50.00	4.98	22	CLAS8.0658
ASHX0021706	8"			217.00	185.00	333.00	50.00	5.45	15	CLAS8.800
ASHX0023306	8⅝"	DN200	DN200	233.00	192.00	349.00	50.00	5.89	12	CLAS8.0858
ASHX0026806	10"	DN250		267.00	210.00	385.00	50.00	6.30	10	CLAS8.1000
ASHX0031906	12"	DN300		319.00	235.00	433.00	50.00	7.02	7	CLAS8.1200

QR CODE

[Back to Contents](#)

advanced-couplings.com

2.1

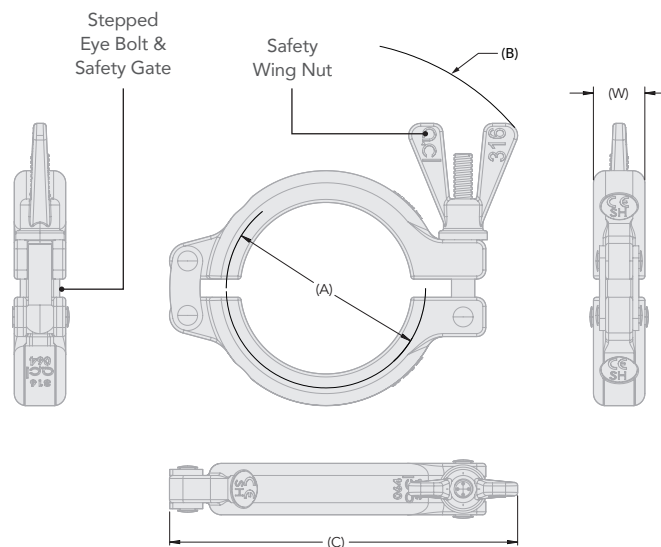
SH Safety Clamp 316

Wing nut, double hinge – 13MHHM

Material
316 / 1.4401

Application
Pharmaceutical

Hinge Layout
Safety Gate & Eye Bolt



SH Safety Clamps – Wing nut

Part Number	Nominal Size			Dimension (mm)				Weight (kg)	MAWP Bar (g)	Legacy Part Number
	Imperial	Metric	ISO	Flange (A)	Radius (B)	Length (C)	Width (W)			
SHSF0002506	½"		DN8-10	25.40	63.00	75.00	17.00	0.15	50	CL.SAF.0050
SHSF0003406	DIN 10	DN10-20		34.00	68.00	75.00	17.00	0.18	50	CL.SAF.D010
SHSF0005006	1½"	DN25-40	DN15-25	50.50	77.00	102.00	17.00	0.25	50	CL.SAF.0100
SHSF0006406	2"	DN50	DN32-40	64.00	93.00	123.00	17.00	0.33	50	CL.SAF.0200
SHSF0007706	2½"		DN50	77.50	100.00	140.00	17.00	0.38	50	CL.SAF.0250
SHSF0009106	3"	DN65	DN65	91.00	105.00	150.00	17.00	0.44	40	CL.SAF.0300
SHSF0010606	3½"	DN80	DN80	106.00	110.00	165.00	17.00	0.44	40	CL.SAF.0350
SHSF0011906	4"	DN100		119.00	119.00	185.00	17.00	0.57	35	CL.SAF.0400
SHSF0013006	4½"		DN100	130.00	119.00	191.00	17.00	0.60	30	CL.SAF.0450
SHSF0014406	5"			144.00	131.00	215.00	19.00	0.75	30	CL.SAF.0500
SHSF0015506	5½"	DN125	DN125	155.00	148.00	265.00	24.00	1.47	30	CL.SAF.0550
SHSF0016706	6"			167.00	152.00	277.00	24.00	1.67	30	CL.SAF.0600
SHSF0018306	6⅝"	DN150	DN150	183.00	164.00	297.00	24.00	1.69	25	CL.SAF.0658
SHSF0021706	8"			217.00	184.00	332.00	24.00	2.19	20	CL.SAF.0800
SHSF0023306	8⅝"	DN200	DN200	233.00	185.00	333.00	24.00	2.34	20	CL.SAF.0858
SHSF0026806	10"	DN250		267.00	205.00	382.00	24.00	2.78	16	CL.SAF.1000
SHSF0028606	10⅝"		DN250	286.00	213.00	405.00	24.00	2.97	16	CL.SAF.1058
SHSF0031906	12"	DN300		319.00	242.00	458.00	24.00	3.69	10	CL.SAF.1200
SHSF0033806	12⅝"		DN300	338.00	243.00	463.00	24.00	3.37	10	CL.SAF.1258

QR CODE

2.2

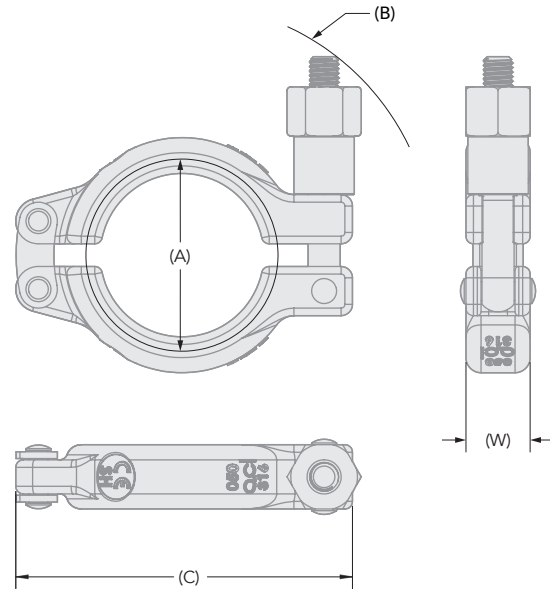
SH Safety Clamp 316

Hex nut, double hinge – 13MHMM

Material
316 / 1.4404

Application
Pharmaceutical

Hinge Layout
Safety Gate, Eye Bolt & Nut



SH Safety Clamps – Hex nut

Part Number	Nominal Size			Dimension (mm)				Weight (kg)	MAWP Bar (g)	Legacy Part Number
	Imperial	Metric	ISO	Flange (A)	Radius (B)	Length (C)	Width (W)			
SHSFHX02506	½"	DN6-8	DN8-10	25.4	63.0	75.0	17.0	0.15	50	CL.SAFX.0050
SHSFHX03406	DN10	DN10-20		34.0	57.0	75.0	17.0	0.18	50	CL.SAFX.D010
SHSFHX05006	1½"	DN25-40	DN15-25	50.5	77.0	102.0	17.0	0.25	50	CL.SAFX.0100
SHSFHX06406	2"	DN50	DN32-40	64.0	93.0	123.0	17.0	0.33	50	CL.SAFX.0200
SHSFHX07706	2½"		DN50	77.5	100.0	140.0	17.0	0.38	50	CL.SAFX.0250
SHSFHX09106	3"	DN65	DN65	91.0	105.0	150.0	17.0	0.44	40	CL.SAFX.0300
SHSFHX10606	3½"	DN80	DN80	106.0	110.0	165.0	17.0	0.44	40	CL.SAFX.0350
SHSFHX11906	4"	DN100		119.0	19.0	185.0	17.0	0.57	35	CL.SAFX.0400
SHSFHX13006	4½"		DN100	130.0	119.0	191.0	17.0	0.60	30	CL.SAFX.0450
SHSFHX14406	5"			144.0	131.0	215.0	19.0	0.75	30	CL.SAFX.0500
SHSFHX15506	5½"	DN125	DN125	155.0	148.0	265.0	24.0	1.47	30	CL.SAFX.0550
SHSFHX16706	6"			167.0	152.0	277.0	24.0	1.67	30	CL.SAFX.0600
SHSFHX18306	6⅝"	DN150	DN150	183.0	164.0	297.0	24.0	1.69	25	CL.SAFX.0658
SHSFHX21706	8"			217.0	184.0	332.0	24.0	2.19	20	CL.SAFX.0800
SHSFHX23306	8⅝"	DN200	DN200	233.0	185.0	333.0	24.0	2.34	20	CL.SAFX.0858
SHSFHX26806	10"	DN250		267.0	205.0	382.0	24.0	2.78	16	CL.SAFX.1000
SHSFHX28606	10⅝"		DN250	286.0	213.0	405.0	24.0	2.97	16	CL.SAFX.1058
SHSFHX31906	12"	DN300		319.0	242.0	458.0	24.0	3.69	10	CL.SAFX.1200
SHSFHX33806	12⅝"		DN300	338.0	243.0	463.0	24.0	3.37	10	CL.SAFX.1258

QR CODE

2.3

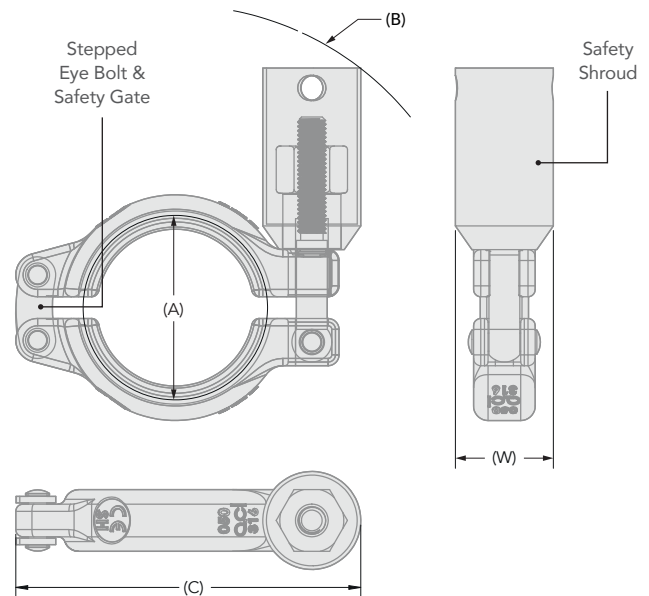
SH Safety Clamp 316

Shrouded – 13MHHM

Material
316 / 1.4401

Application
Pharmaceutical

Hinge Layout
Safety Gate, Eye Bolt & Nut



SH Safety Clamps – Shrouded

Part Number	Nominal Size			Dimension (mm)				Weight (kg)	MAWP Bar (g)	Legacy Part Number
	Imperial	Metric	ISO	Flange (A)	Radius (B)	Length (C)	Width (W)			
SHSS0002506	½"	DN6-8	DN8-10	25.40	63.00	75.00	27.00	0.15	50	CL.SAFS.0050
SHSS0003406	DIN 10	DN10-20		34.00	60.00	75.00	27.00	0.18	50	CL.SAFS.D010
SHSS0005006	1½"	DN25-40	DN15-25	50.50	77.00	102.00	27.00	0.25	50	CL.SAFS.0100
SHSS0006406	2"	DN50	DN32-40	64.00	93.00	123.00	27.00	0.33	50	CL.SAFS.0200
SHSS0007706	2½"		DN50	77.50	100.00	140.00	27.00	0.38	50	CL.SAFS.0250
SHSS0009106	3"	DN65	DN65	91.00	105.00	150.00	27.00	0.44	40	CL.SAFS.0300
SHSS0010606	3½"	DN80	DN80	106.00	110.00	165.00	27.00	0.44	40	CL.SAFS.0350
SHSS0011906	4"	DN100		119.00	119.00	185.00	27.00	0.57	35	CL.SAFS.0400
SHSS0013006	4½"		DN100	130.00	119.00	191.00	27.00	0.60	30	CL.SAFS.0450
SHSS0014406	5"			144.00	131.00	215.00	27.00	0.75	30	CL.SAFS.0500
SHSS0015506	5½"	DN125	DN125	155.00	148.00	265.00	33.00	1.47	30	CL.SAFS.0550
SHSS0016706	6"			167.00	152.00	277.00	33.00	1.67	30	CL.SAFS.0600
SHSS0018306	6⅝"	DN150	DN150	183.00	164.00	297.00	33.00	1.69	25	CL.SAFS.0658
SHSS0021706	8"			217.00	184.00	332.00	33.00	2.19	20	CL.SAFS.0800
SHSS0023306	8⅝"	DN200	DN200	233.00	185.00	333.00	33.00	2.34	20	CL.SAFS.0858
SHSS0026806	10"	DN250		267.00	205.00	382.00	33.00	2.78	16	CL.SAFS.1000
SHSS0028606	10⅝"		DN250	286.00	213.00	405.00	33.00	2.97	16	CL.SAFS.1058
SHSS0031906	12"	DN300		319.00	242.00	458.00	33.00	3.69	10	CL.SAFS.1200
SHSS0033806	12⅝"		DN300	338.00	243.00	463.00	33.00	3.37	10	CL.SAFS.1258

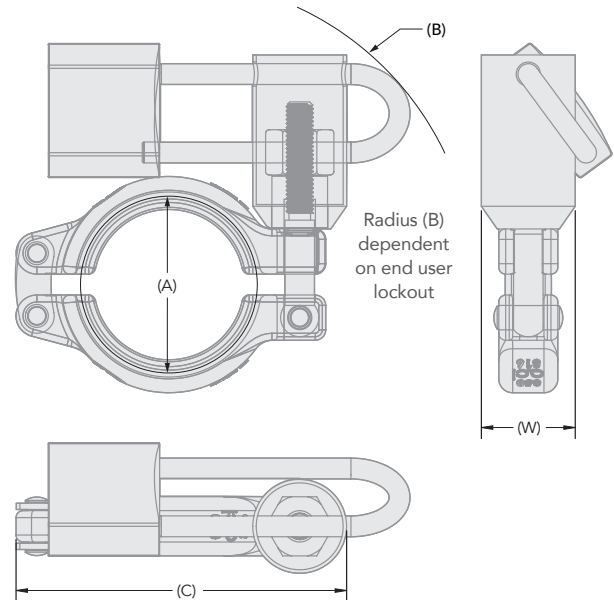
QR CODE

2.4

SH Safety Clamp 316

Lockout – 13MHHM

Material 316 / 1.4404
Application Pharmaceutical
Hinge Layout Safety Gate, Eye Bolt & Padlock



SH Safety Clamps – Lockout

Part Number	Nominal Size			Dimension (mm)				Weight (kg)	MAWP Bar (g)	Legacy Part Number
	Imperial	Metric	ISO	Flange (A)	Radius (B)	Length (C)	Width (W)			
SHSL0002506	½"	DN6-8	DN8-10	25.40	63.00	75.00	27.00	0.15	50	CL.SAFL.0050
SHSL0003406	DN10	DN10-20		34.00	65.00	83.00	27.00	0.18	50	CL.SAFL.D010
SHSL0005006	1½"	DN25-40	DN15-25	50.50	77.00	102.00	27.00	0.25	50	CL.SAFL.0100
SHSL0006406	2"	DN50	DN32-40	64.00	93.00	123.00	27.00	0.33	50	CL.SAFL.0200
SHSL0007706	2½"		DN50	77.50	100.00	140.00	27.00	0.38	50	CL.SAFL.0250
SHSL0009106	3"	DN65	DN65	91.00	105.00	150.00	27.00	0.44	40	CL.SAFL.0300
SHSL0010606	3½"	DN80	DN80	106.00	110.00	165.00	27.00	0.44	40	CL.SAFL.0350
SHSL0011906	4"	DN100		119.00	19.00	185.00	27.00	0.57	35	CL.SAFL.0400
SHSL0013006	4½"		DN100	130.00	119.00	191.00	27.00	0.60	30	CL.SAFL.0450
SHSL0014406	5"			144.00	131.00	215.00	27.00	0.75	30	CL.SAFL.0500
SHSL0015506	5½"	DN125	DN125	155.00	148.00	265.00	33.00	1.47	30	CL.SAFL.0550
SHSL0016706	6"			167.00	152.00	277.00	33.00	1.67	30	CL.SAFL.0600
SHSL0018306	6⅝"	DN150	DN150	183.00	164.00	297.00	33.00	1.69	25	CL.SAFL.0658
SHSL0021706	8"			217.00	184.00	332.00	33.00	2.19	20	CL.SAFL.0800
SHSL0023306	8⅝"	DN200	DN200	233.00	185.00	333.00	33.00	2.34	20	CL.SAFL.0858
SHSL0026806	10"	DN250		267.00	205.00	382.00	33.00	2.78	16	CL.SAFL.1000
SHSL0028606	10⅝"		DN250	286.00	213.00	405.00	33.00	2.97	16	CL.SAFL.1058
SHSL0031906	12"	DN300		319.00	242.00	458.00	33.00	3.69	10	CL.SAFL.1200
SHSL0033806	12⅝"		DN300	338.00	243.00	463.00	33.00	3.37	10	CL.SAFL.1258

QR CODE

2.5

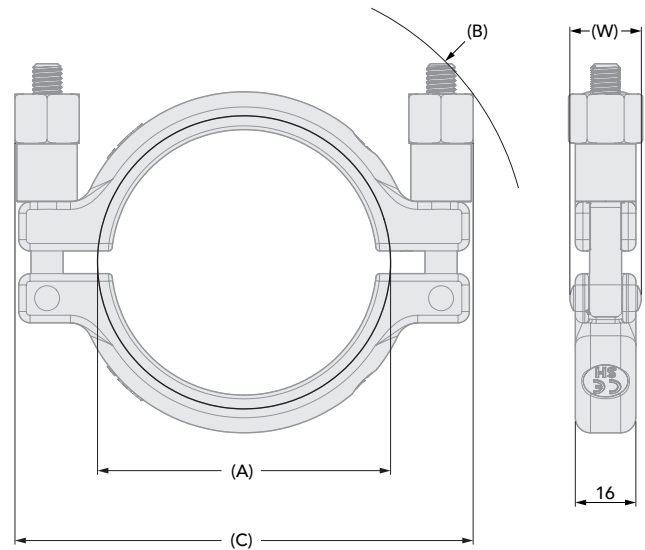
SH Safety Clamp 316

Double bolt – 13MHHM

Material
316 / 1.4401

Application
Pharmaceutical

Hinge Layout
Length Adjustable Eyebolt



SH Safety Clamps – Double Bolt

Part Number	Nominal Size			Dimension (mm)				Weight (kg)	MAWP Bar (g)	Legacy Part Number
	Imperial	Metric	ISO	Flange (A)	Radius (B)	Length (C)	Width (W)			
SHSFDX07706	2½"		DN50	77.50	75.70	123.80	19.00	38	50	CL.SAFD.0250
SHSFDX09106	3"		DN65	91.00	80.90	136.30	19.00	40	40	CL.SAFD.0300
SHSFDX10606	3½"	DN65	DN80	106.00	87.30	151.30	19.00	40	40	CL.SAFD.0350
SHSFDX11906	4"	DN80		119.00	93.00	164.30	19.00	35	35	CL.SAFD.0400
SHSFDX13006	4½"	DN100	DN100	130.00	87.40	176.60	19.00	30	30	CL.SAFD.0450
SHSFDX14406	5"			144.00	106.10	193.50	19.00	30	30	CL.SAFD.0500

QR CODE

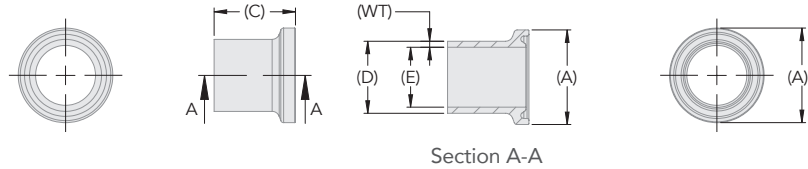
3.1

ACL® BS 4825 Part 3 Ferrules

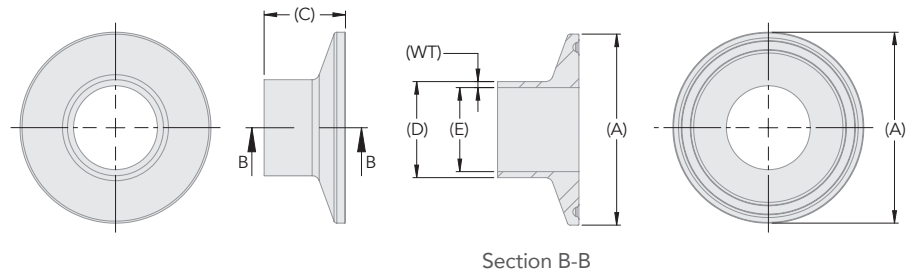
Material
1.4404



Type A – 25.0mm Flange



Type B – 34.0mm to 338.0mm Flange



BS 4825 Part 3 Ferrules – Pharmaceutical

Part Number	Nominal Size	Dimension (mm)					Weight (kg)	Legacy Part Number
	Imperial	OD (D)	ID (E)	Flange (A)	Wall (WT)	Length (C)		
FPB4025127021SD6L	1/2"	12.70	9.52	25.40	1.59	21.50	0.02	FR.BS.0050
FPB4025195021SD6L	3/4"	19.05	15.87	25.40	1.59	21.50	0.02	FR.BS.0075
FPB4050025021SD6L	1"	25.65	22.20	50.50	1.73	21.50	0.08	FR.BS.0100
FPB4050038021SD6L	1 1/2"	38.35	34.90	50.50	1.73	21.50	0.06	FR.BS.0150
FPB4064051021SD6L	2"	51.05	47.60	64.00	1.73	21.50	0.08	FR.BS.0200
FPB4077063021SD6L	2 1/2"	63.75	60.30	77.50	1.73	21.50	0.10	FR.BS.0250
FPB4091076021SD6L	3"	76.45	73.00	91.00	1.73	21.50	0.13	FR.BS.0300
FPB4106088021SD6L	3 1/2"	88.90	84.70	106.00	2.10	21.50	0.21	FR.BS.0350
FPB4114101021SD6L	4"	101.85	97.60	119.00	2.13	21.50	0.21	FR.BS.0400
FPB4130114028SD6L	4 1/2"	114.95	110.30	130.00	2.33	28.00	0.21	FR.BS.0450
FPB4144128028SD6L	5"	127.00	123.00	144.40	2.00	28.00	0.41	FR.BS.0500
FPB4155140028SD6L	5 1/2"	140.55	135.70	155.00	2.43	28.00	0.43	FR.BS.0550
FPB4167154028SD6L	6"	154.00	150.00	167.00	2.00	28.00	0.38	FR.BS.0600
FPB4183169028SD6L	6 5/8"	169.35	163.10	183.00	3.13	28.00	0.56	FR.BS.0658
FPB4217204028SD6L	8"	204.00	200.00	217.40	2.00	28.00	0.52	FR.BS.0800
FPB4233220028SD6L	8 5/8"	220.55	213.90	233.50	3.33	28.00	0.73	FR.BS.0858
FPB4268254028SD6L	10"	254.00	250.00	268.00	2.00	28.00	0.65	FR.BS.1000
FPB4286273028SD6L	10 5/8"	273.00	266.30	286.10	3.35	28.00	0.93	FR.BS.1058
FPB4319304028SD6L	12"	304.80	300.80	319.00	2.00	28.00	0.81	FR.BS.1200
FPB4338324028SD6L	12 5/8"	323.80	315.90	338.00	3.95	28.00	1.28	FR.BS.1258

QR CODE

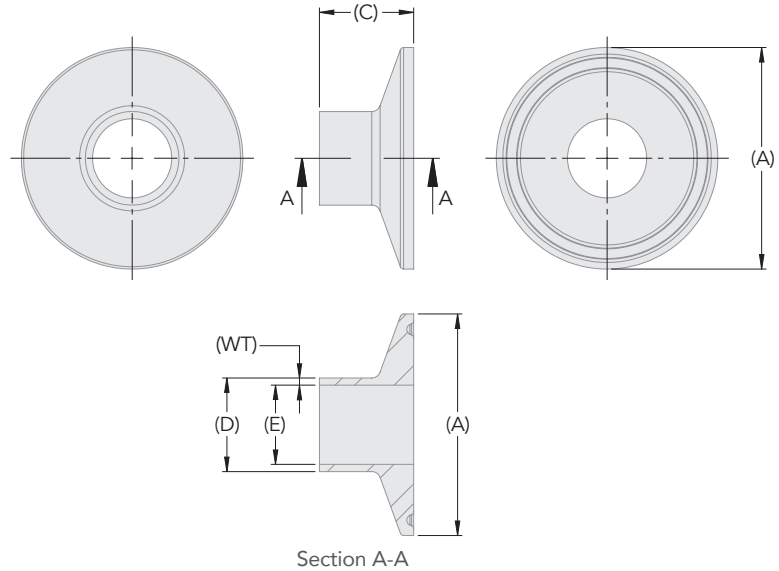
3.2

ACL® BS Schedule 5 Ferrules

Material
1.4404



Type B – 34.0mm to 338.0mm Flange



BS Schedule 5 Ferrules – Pharmaceutical

Part Number	Nominal Size	Dimension (mm)					Weight (kg)	Legacy Part Number
	Imperial	OD (D)	ID (E)	Flange (A)	Wall (WT)	Length (C)		
FPB1050021021SD6L	½"	21.34	18.04	50.50	1.65	21.50	0.06	FR.BS05.0050
FPB1050026021SD6L	¾"	26.67	23.37	50.50	1.65	21.50	0.07	FR.BS05.0075
FPB1050033021SD6L	1"	33.40	30.10	50.50	1.65	21.50	0.08	FR.BS05.0100
FPB1064042021SD6L	1¼"	42.16	38.86	64.00	1.65	21.50	0.08	FR.BS05.0125
FPB1064048021SD6L	1½"	48.26	44.96	64.00	1.65	21.50	0.09	FR.BS05.0150
FPB1077060021SD6L	2"	60.32	57.02	77.50	1.65	21.50	0.10	FR.BS05.0200
FPB1091073021SD6L	2½"	73.03	68.81	91.00	2.11	21.50	0.16	FR.BS05.0250
FPB1106089021SD6L	3"	88.90	84.68	106.00	2.11	21.50	0.21	FR.BS05.0300
FPB1119101021SD6L	3½"	101.60	97.38	119.00	2.11	21.50	0.21	FR.BS05.0350
FPB1130114028SD6L	4"	114.30	110.08	130.00	2.11	28.00	0.25	FR.BS05.0400
FPB1155141028SD6L	5"	141.30	135.76	155.00	2.77	28.00	0.43	FR.BS05.0500
FPB1183168028SD6L	6"	168.28	162.74	183.00	2.77	28.00	0.56	FR.BS05.0600
FPB1233219028SD6L	8"	219.08	213.54	233.50	2.77	28.00	0.73	FR.BS05.0800
FPB1286273028SD6L	10"	273.05	266.25	286.10	3.40	28.00	0.93	FR.BS05.1000
FPB1338324028SD6L	12"	323.85	315.93	338.00	3.96	28.00	1.28	FR.BS05.1200

QR
CODE

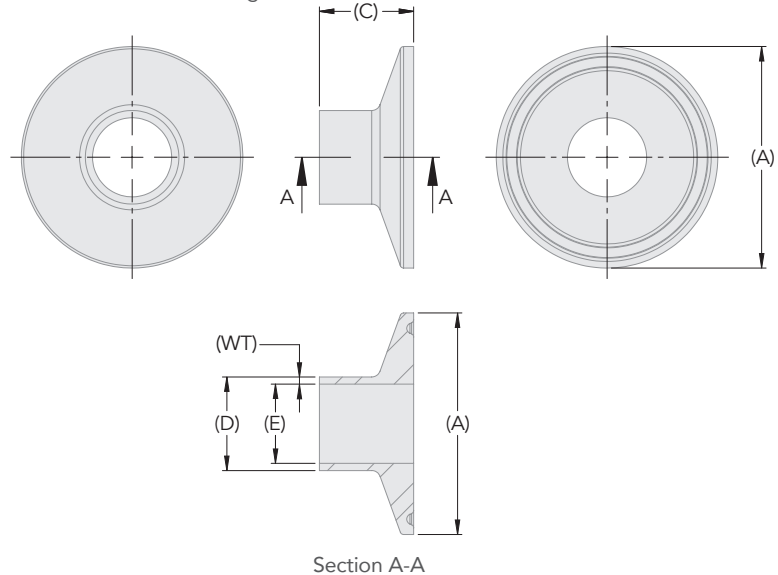
3.3

ACL® BS Schedule 10 Ferrules

Material
1.4404



Type B – 34.0mm to 338.0mm Flange



BS Schedule 10 Ferrules – Pharmaceutical

Part Number	Nominal Size	Dimension (mm)					Weight (kg)	Legacy Part Number
	Imperial	OD (D)	ID (E)	Flange (A)	Wall (WT)	Length (C)		
FPB2050021021SD6L	½"	21.34	17.12	50.50	2.11	21.50	0.08	FR.BS10.0050
FPB2050026021SD6L	¾"	26.67	22.45	50.50	2.11	21.50	0.08	FR.BS10.0075
FPB2050033021SD6L	1"	33.40	27.86	50.50	2.77	21.50	0.08	FR.BS10.0100
FPB2064042021SD6L	1¼"	42.16	36.62	64.00	2.77	21.50	0.09	FR.BS10.0125
FPB2064048021SD6L	1½"	48.26	42.72	64.00	2.77	21.50	0.11	FR.BS10.0150
FPB2077060021SD6L	2"	60.32	54.79	77.50	2.77	21.50	0.15	FR.BS10.0200
FPB2091073021SD6L	2½"	73.03	66.93	91.00	3.05	21.50	0.18	FR.BS10.0250
FPB2106089021SD6L	3"	88.90	82.80	106.00	3.05	21.50	0.22	FR.BS10.0300
FPB2119101021SD6L	3½"	101.60	95.50	119.00	3.05	21.50	0.28	FR.BS10.0350
FPB2130114028SD6L	4"	114.30	108.20	130.00	3.05	28.00	0.34	FR.BS10.0400
FPB2155141028SD6L	5"	141.30	134.50	155.00	3.40	28.00	0.43	FR.BS10.0500
FPB2183168028SD6L	6"	168.28	161.47	183.00	3.41	28.00	0.61	FR.BS10.0600
FPB2233219028SD6L	8"	219.08	211.56	233.50	3.76	28.00	0.73	FR.BS10.0800
FPB2286273028SD6L	10"	273.05	264.67	286.10	4.19	28.00	0.93	FR.BS10.1000
FPB2338324028SD6L	12"	323.85	314.71	338.00	4.57	28.00	1.28	FR.BS10.1200

QR CODE

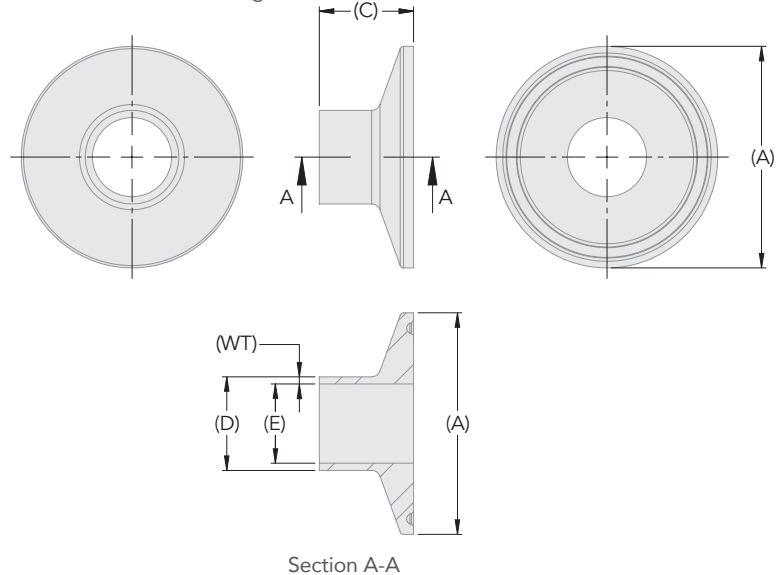
3.4

ACL® BS Schedule 40 Ferrules

Material
1.4404



Type B – 34.0mm to 338.0mm Flange



BS Schedule 40 Ferrules – Pharmaceutical

Part Number	Nominal Size	Dimension (mm)					Weight (kg)	Legacy Part Number
	Imperial	OD (D)	ID (E)	Flange (A)	Wall (WT)	Length (C)		
FPB3050021021SD6L	½"	21.34	15.80	50.50	2.77	21.50	0.09	FR.BS40.0050
FPB3050026021SD6L	¾"	26.67	20.93	50.50	2.87	21.50	0.09	FR.BS40.0075
FPB3050033021SD6L	1"	33.40	26.64	50.50	3.38	21.50	0.09	FR.BS40.0100
FPB3064042021SD6L	1¼"	42.16	35.04	64.00	3.56	21.50	0.13	FR.BS40.0125
FPB3064048021SD6L	1½"	48.26	40.88	64.00	3.69	21.50	0.13	FR.BS40.0150
FPB3077060021SD6L	2"	60.32	52.51	77.50	3.91	21.50	0.18	FR.BS40.0200
FPB3091073021SD6L	2½"	73.03	62.71	91.00	5.16	21.50	0.22	FR.BS40.0250
FPB3106089021SD6L	3"	88.90	77.92	106.00	5.49	21.50	0.26	FR.BS40.0300
FPB3119101021SD6L	3½"	101.60	90.12	119.00	5.74	21.50	0.34	FR.BS40.0350
FPB3130114028SD6L	4"	114.30	102.26	130.00	6.02	28.00	0.44	FR.BS40.0400
FPB3155141028SD6L	5"	141.30	128.20	155.00	6.55	28.00	0.52	FR.BS40.0500
FPB3183168028SD6L	6"	168.28	154.06	183.00	7.11	28.00	0.63	FR.BS40.0600
FPB3233219028SD6L	8"	219.08	202.72	233.50	8.18	28.00	0.80	FR.BS40.0800
FPB3286273028SD6L	10"	273.05	254.51	286.10	9.27	28.00	1.00	FR.BS40.1000
FPB5338324028SD6L	12"	323.85	304.79	338.00	9.53	28.00	1.35	FR.BS40.1200

QR
CODE

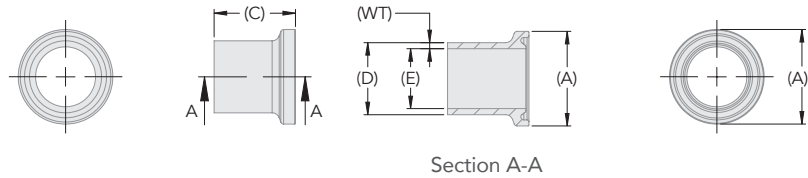
3.5

ACL® ASME BPE Ferrules

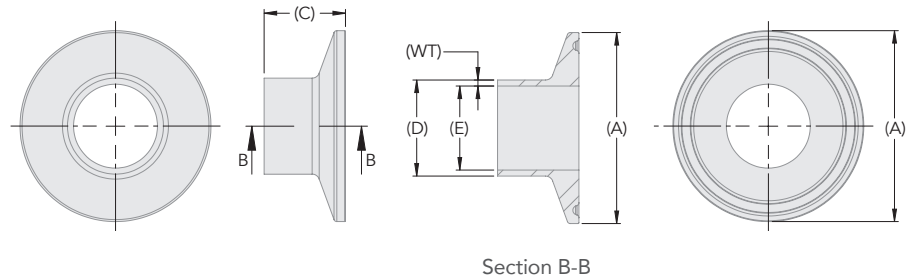
Material
1.4404
Low sulphur



Type A – 25.0mm Flange



Type B – 34.0mm to 338.0mm Flange



ASME BPE Ferrules

Part Number	Nominal Size	Dimension (mm)						Weight (kg)	Legacy Part Number
	Imperial	OD (D)	ID (E)	Flange (A)	Wall (WT)	Length (C)	Length (C)		
FPA1025635	¼"	6.35	4.57	25.40	0.89	28.50	44.50	0.02	FR.BPES.0025
FPA1025952	⅜"	9.52	7.74	25.40	0.89	28.50	44.50	0.02	FR.BPES.0038
FPA1025127	½"	10.70	9.40	25.40	1.65	28.50	44.50	0.02	FR.BPES.0050
FPA1025195	¾"	19.05	15.75	25.40	1.65	28.50	44.50	0.02	FR.BPES.0075
FPA1050025	1"	25.40	22.10	50.50	1.65	28.50	44.50	0.08	FR.BPES.0100
FPA1050038	1½"	38.10	34.80	50.50	1.65	28.50	44.50	0.08	FR.BPES.0150
FPA1064051	2"	50.80	47.50	64.00	1.65	28.50	57.20	0.14	FR.BPES.0200
FPA1077063	2½"	63.50	60.20	77.50	1.65	28.50	57.20	0.21	FR.BPES.0250
FPA1091076	3"	76.20	72.90	91.00	1.65	28.50	57.20	0.28	FR.BPES.0300
FPA1119101	4"	101.60	97.38	119.00	2.11	28.50	57.20	0.42	FR.BPES.0400
FPA1167154	6"	152.40	146.86	167.00	2.77	28.50	76.10	0.88	FR.BPES.0600

Ferrule Length Codes

Length	Code
28.5mm - All sizes	285
44.5mm - ¼" to 1½"	445
57.2mm - 2" to 4"	572
76.1mm - 6" only	761

Surface Finish/Material Codes

Finish	Code
SF1 - 0.50 Ra	S1
SF2 - 0.63 Ra	S2
SF3 - 0.75 Ra	S3
SF4 - 0.38 Ra E/Pol	S4
SF5 - 0.50 Ra E/Pol	S5
SF6 - 0.63 Ra E/Pol	S6
Material	Code
1.4404 L/S	B6

Ordering Code Example

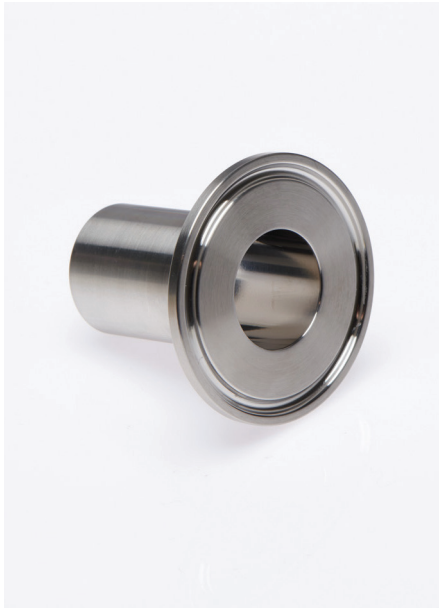
1" BPE Ferrule	Length	Finish
FPA1050025	445	S4B6
Order code = FPA1050025445S4B6		

QR CODE

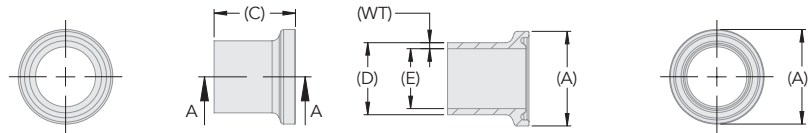
3.6.1

ACL® DIN 32676 Table A Ferrules Short (12.7mm - 28mm)

Material
1.4404

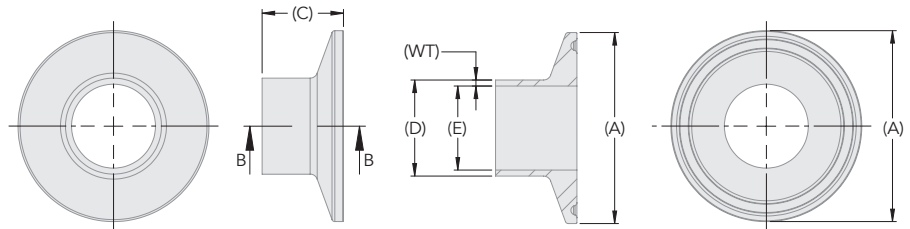


Type A – 25.0mm Flange



Section A-A

Type B – 34.0mm to 338.0mm Flange



Section B-B

DIN 32676 Table A Ferrules – Short

Part Number	Nominal Size Metric	Dimension (mm)					Weight (kg)	Legacy Part Number
		OD (D)	ID (E)	Flange (A)	Wall (WT)	Length (C)		
FPD2025008012SD6L	DIN 06	8.00	6.00	25.00	1.00	12.70	0.02	FR.DNAS.006
FPD2025010012SD6L	DIN 08	10.00	8.00	25.00	1.00	12.70	0.02	FR.DNAS.008
FPD2034013018SD6L	DIN 10	13.00	10.00	34.00	1.50	18.00	0.03	FR.DNAS.010
FPD2034019018SD6L	DIN 15	19.00	16.00	34.00	1.50	18.00	0.03	FR.DNAS.015
FPD2034023018SD6L	DIN 20	23.00	20.00	34.00	1.50	18.00	0.03	FR.DNAS.020
FPD2050029021SD6L	DIN 25	29.00	26.00	50.50	1.50	21.50	0.07	FR.DNAS.025
FPD2050035021SD6L	DIN 32	35.00	32.00	50.50	1.50	21.50	0.06	FR.DNAS.032
FPD2050041021SD6L	DIN 40	41.00	38.00	50.50	1.50	21.50	0.05	FR.DNAS.040
FPD2064053021SD6L	DIN 50	53.00	50.00	64.00	1.50	21.50	0.07	FR.DNAS.050
FPD2091070028SD6L	DIN 65	70.00	66.00	91.00	2.00	28.00	0.19	FR.DNAS.065
FPD2106085028SD6L	DIN 80	85.00	81.00	106.00	2.00	28.00	0.23	FR.DNAS.080
FPD2119104028SD6L	DIN 100	104.00	100.00	119.00	2.00	28.00	0.22	FR.DNAS.100
FPD2155129028SD6L	DIN 125	129.00	125.00	155.00	2.00	28.00	0.53	FR.DNAS.125
FPD2183154028SD6L	DIN 150	154.00	150.00	183.00	2.00	28.00	0.76	FR.DNAS.150
FPD2233204028SD6L	DIN 200	204.00	200.00	233.50	2.00	28.00	0.93	FR.DNAS.200

QR
CODE

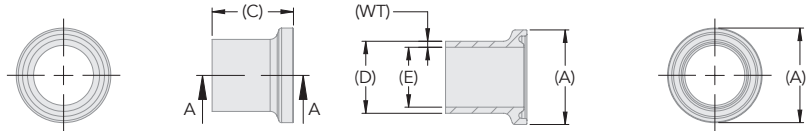
3.6.2

ACL® DIN 32676 Table A Ferrules Long (28.6mm - 66mm)

Material
1.4404

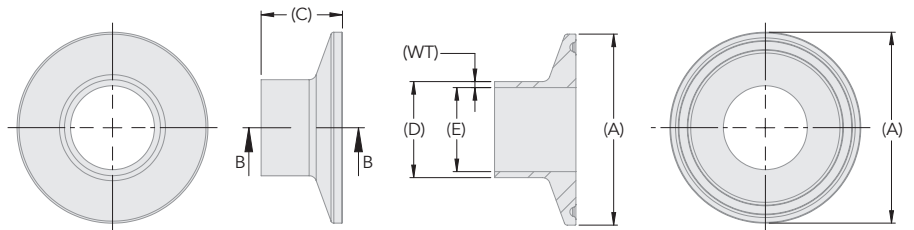


Type A – 25.0mm Flange



Section A-A

Type B – 34.0mm to 338.0mm Flange



Section B-B

DIN 32676 Table A Ferrules - Long

Part Number	Nominal Size Metric	Dimension (mm)					Weight (kg)	Legacy Part Number
		OD (D)	ID (E)	Flange (A)	Wall (WT)	Length (C)		
FPD2025008028SD6L	DIN 06	8.00	6.00	25.00	1.00	28.60	0.02	FRD.DNAL.006
FPD2025010028SD6L	DIN 08	10.00	8.00	25.00	1.00	28.60	0.02	FRD.DNAL.008
FPD2034013028SD6L	DIN 10	13.00	10.00	34.00	1.50	28.60	0.03	FRD.DNAL.010
FPD2034019028SD6L	DIN 15	19.00	16.00	34.00	1.50	28.60	0.03	FRD.DNAL.015
FPD2034023028SD6L	DIN 20	23.00	20.00	34.00	1.50	28.60	0.03	FRD.DNAL.020
FPD2050029036SD6L	DIN 25	29.00	26.00	50.50	1.50	36.00	0.08	FRD.DNAL.025
FPD2050035036SD6L	DIN 32	35.00	32.00	50.50	1.50	36.00	0.07	FRD.DNAL.032
FPD2050041036SD6L	DIN 40	41.00	38.00	50.50	1.50	36.00	0.07	FRD.DNAL.040
FPD2064053036SD6L	DIN 50	53.00	50.00	64.00	1.50	36.00	0.09	FRD.DNAL.050
FPD2091070048SD6L	DIN 65	70.00	66.00	91.00	2.00	48.00	0.25	FRD.DNAL.065
FPD2106085048SD6L	DIN 80	85.00	81.00	106.00	2.00	48.00	0.30	FRD.DNAL.080
FPD2119104048SD6L	DIN 100	104.00	100.00	119.00	2.00	48.00	0.31	FRD.DNAL.100
FPD2155129066SD6L	DIN 125	129.00	125.00	155.00	2.00	66.00	0.75	FRD.DNAL.125
FPD2183154066SD6L	DIN 150	154.00	150.00	183.00	2.00	66.00	0.95	FRD.DNAL.150
FPD2233204066SD6L	DIN 200	204.00	200.00	233.50	2.00	66.00	1.27	FRD.DNAL.200

QR
CODE

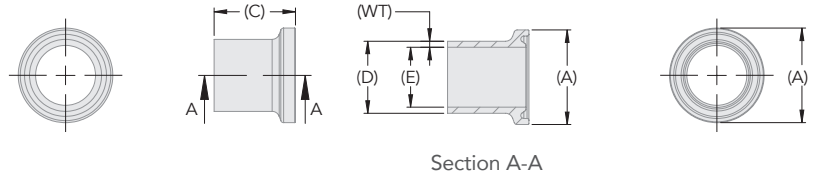
3.6.3

ACL® DIN 32676 Table B Ferrules Short (12.7mm - 28mm)

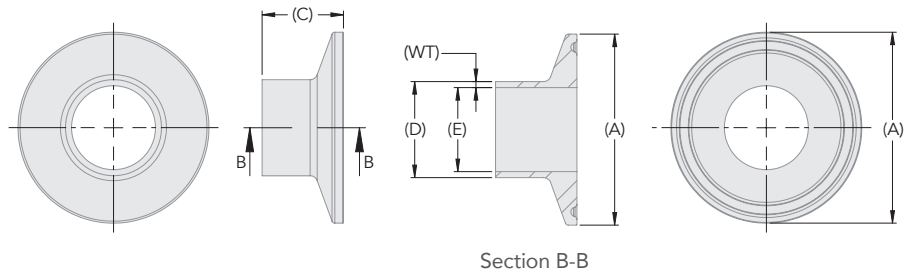
Material
1.4404



Type A – 25.0mm Flange



Type B – 34.0mm to 338.0mm Flange



DIN 32676 Table B Ferrules – Short

Part Number	Nominal Size Metric	Dimension (mm)					Weight (kg)	Legacy Part Number
		OD (D)	ID (E)	Flange (A)	Wall (WT)	Length (C)		
FPDB025010127SD6L	DIN 06	10.20	7.00	25.00	1.60	12.70	0.02	FRD.DNBS.006
FPDB025013127SD6L	DIN 08	13.50	10.30	25.00	1.60	12.70	0.01	FRD.DNBS.008
FPDB025017018SD6L	DIN 10	17.20	14.00	25.00	1.60	18.00	0.02	FRD.DNBS.010
FPDB050021018SD6L	DIN 15	21.30	18.10	50.50	1.60	18.00	0.08	FRD.DNBS.015
FPDB050027018SD6L	DIN 20	26.90	23.70	50.50	1.60	18.00	0.07	FRD.DNBS.020
FPDB050034021SD6L	DIN 25	33.70	29.70	5.50	2.00	21.50	0.07	FRD.DNBS.025
FPDB064048021SD6L	DIN 32	42.40	38.40	64.00	2.00	21.50	0.10	FRD.DNBS.032
FPDB064048021SD6L	DIN 40	48.30	44.30	64.00	2.00	21.50	0.09	FRD.DNBS.040
FPDB077060021SD6L	DIN 50	60.30	56.30	77.50	2.00	21.50	0.12	FRD.DNBS.050
FPDB091076021SD6L	DIN 65	76.10	72.10	91.00	2.00	28.00	0.16	FRD.DNBS.065
FPDB106089028SD6L	DIN 80	88.90	84.30	106.00	2.30	28.00	0.21	FRD.DNBS.080
FPDB130114028SD6L	DIN 100	114.30	109.70	130.00	2.30	28.00	0.26	FRD.DNBS.100
FPDB155140028SD6L	DIN 125	139.70	134.50	155.00	2.60	28.00	0.42	FRD.DNBS.125
FPDB183168028SD6L	DIN 150	168.30	163.10	183.00	2.60	28.00	0.49	FRD.DNBS.150
FPDB233219028SD6L	DIN 200	219.10	213.90	233.50	2.60	28.00	0.64	FRD.DNBS.200

QR
CODE

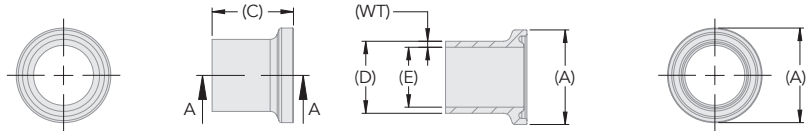
3.6.4

ACL® DIN 32676 Table B Ferrules Long (28.6mm - 66mm)

Material
1.4404

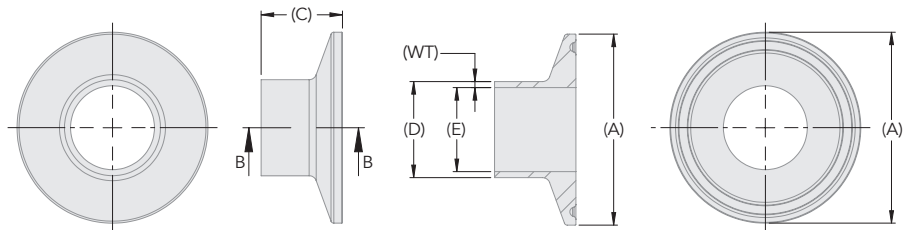


Type A – 25.0mm Flange



Section A-A

Type B – 34.0mm to 338.0mm Flange



Section B-B

DIN 32676 Table B Ferrules – Long

Part Number	Nominal Size Metric	Dimension (mm)					Weight (kg)	Legacy Part Number
		OD (D)	ID (E)	Flange (A)	Wall (WT)	Length (C)		
FPDB025010286SD6L	DIN 06	10.20	7.00	25.00	1.60	28.60	0.02	FRD.DNBL.006
FPDB025013286SD6L	DIN 08	13.50	10.30	25.00	1.60	28.60	0.02	FRD.DNBL.008
FPDB025017286SD6L	DIN 10	17.20	14.00	25.00	1.60	28.60	0.03	FRD.DNBL.010
FPDB050021286SD6L	DIN 15	21.30	18.10	50.50	1.60	28.60	0.08	FRD.DNBL.015
FPDB050027286SD6L	DIN 20	26.90	23.70	50.50	1.60	28.60	0.08	FRD.DNBL.020
FPDB050034036SD6L	DIN 25	33.70	29.70	5.50	2.00	36.00	0.09	FRD.DNBL.025
FPDB064042036SD6L	DIN 32	42.40	38.40	64.00	2.00	36.00	0.13	FRD.DNBL.032
FPDB064048036SD6L	DIN 40	48.30	44.30	64.00	2.00	36.00	0.12	FRD.DNBL.040
FPDB077060036SD6L	DIN 50	60.30	56.30	77.50	2.00	36.00	0.16	FRD.DNBL.050
FPDB091076048SD6L	DIN 65	76.10	72.10	91.00	2.00	48.00	0.23	FRD.DNBL.065
FPDB106089048SD6L	DIN 80	88.90	84.30	106.00	2.30	48.00	0.31	FRD.DNBL.080
FPDB130114048SD6L	DIN 100	114.30	109.70	130.00	2.30	48.00	0.39	FRD.DNBL.100
FPDB155140066SD6L	DIN 125	139.70	134.50	155.00	2.60	66.00	0.75	FRD.DNBL.125
FPDB183168066SD6L	DIN 150	168.30	163.10	183.00	2.60	66.00	0.89	FRD.DNBL.150
FPDB233219066SD6L	DIN 200	219.10	213.90	233.50	2.60	66.00	1.15	FRD.DNBL.200

QR
CODE

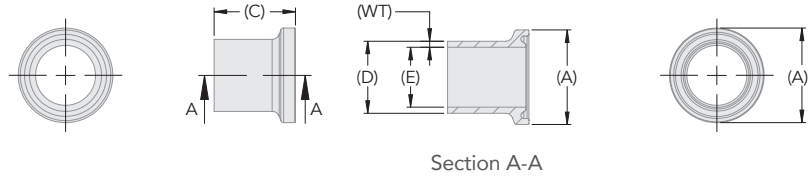
3.6.5

ACL® DIN 32676 Table C Ferrules Short (12.7mm - 28mm)

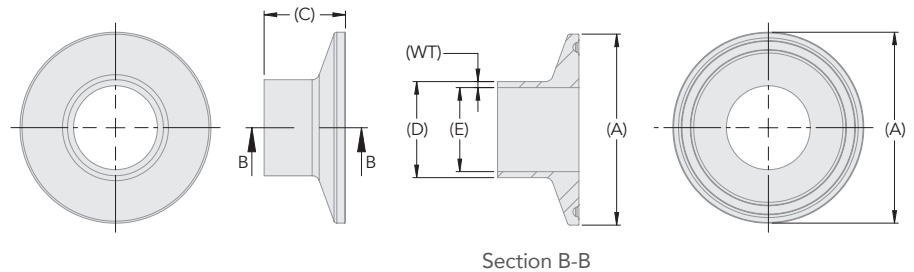
Material
1.4404
Low Sulphur



Type A – 25.0mm Flange



Type B – 34.0mm to 338.0mm Flange



DIN 32676 Table C Ferrules – Short

Part Number	Nominal Size	Dimension (mm)					Weight (kg)	Legacy Part Number
	Imperial	OD (D)	ID (E)	Flange (A)	Wall (WT)	Length (C)		
FPDC025635127SD6L	¼"	6.35	4.57	25.40	0.89	12.70	0.02	FRD.DNCS.025
FPDC025952127SD6L	⅜"	9.52	7.74	25.40	0.89	12.70	0.02	FRD.DNCS.038
FPDC025127127SD6L	½"	10.70	9.40	25.40	1.65	12.70	0.02	FRD.DNCS.050
FPDC025195127SD6L	¾"	19.05	15.75	25.40	1.65	12.70	0.02	FRD.DNCS.075
FPDC050025021SD6L	1"	25.40	22.10	50.50	1.65	21.50	0.07	FRD.DNCS.100
FPDC050038021SD6L	1½"	38.10	34.80	50.50	1.65	21.50	0.05	FRD.DNCS.150
FPDC0645051021SD6L	2"	50.80	47.50	64.00	1.65	21.50	0.07	FRD.DNCS.200
FPDC077063028SD6L	2½"	63.50	60.20	77.50	1.65	28.00	0.11	FRD.DNCS.250
FPDC091076028SD6L	3"	76.20	72.90	91.00	1.65	28.00	0.14	FRD.DNCS.300
FPDC119101028SD6L	4"	101.60	97.38	119.00	2.11	28.00	0.24	FRD.DNCS.400
FPDC167154028SD6L	6"	152.40	146.86	167.00	2.77	28.00	0.46	FRD.DNCS.600

QR CODE

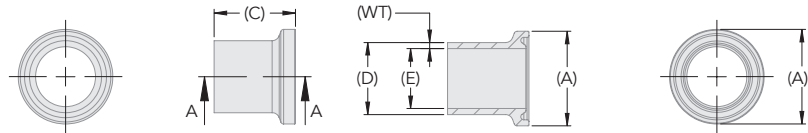
3.6.6

ACL® DIN 32676 Table C Ferrules Long (28.6mm - 66mm)

Material
1.4404
Low Sulphur

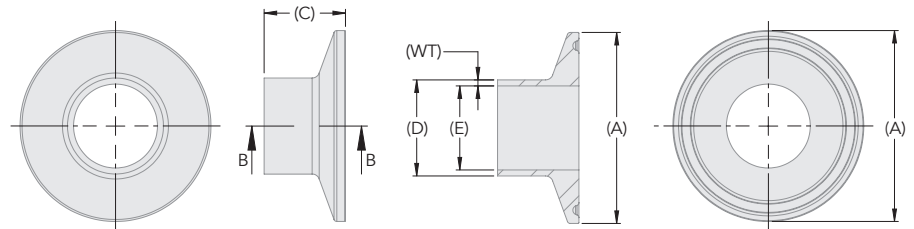


Type A – 25.0mm Flange



Section A-A

Type B – 34.0mm to 338.0mm Flange



Section B-B

DIN 32676 Table C Ferrules – Long

Part Number	Nominal Size	Dimension (mm)					Weight (kg)	Legacy Part Number
	Imperial	OD (D)	ID (E)	Flange (A)	Wall (WT)	Length (C)		
FPDC025635286SD6L	¼"	6.35	4.57	25.40	0.89	28.60	0.02	FRD.DNCL.025
FPDC025952286SD6L	⅜"	9.52	7.74	25.40	0.89	28.60	0.02	FRD.DNCL.038
FPDC025127286SD6L	½"	10.70	9.40	25.40	1.65	28.60	0.03	FRD.DNCL.050
FPDC025195286SD6L	¾"	19.05	15.75	25.40	1.65	28.60	0.03	FRD.DNCL.075
FPDC050025036SD6L	1"	25.40	22.10	50.50	1.65	36.00	0.08	FRD.DNCL.100
FPDC050038036SD6L	1½"	38.10	34.80	50.50	1.65	36.00	0.06	FRD.DNCL.150
FPDC0645051036SD6L	2"	50.80	47.50	64.00	1.65	36.00	0.09	FRD.DNCL.200
FPDC077063036SD6L	2½"	63.50	60.20	77.50	1.65	36.00	0.13	FRD.DNCL.250
FPDC091076048SD6L	3"	76.20	72.90	91.00	1.65	48.00	0.18	FRD.DNCL.300
FPDC119101048SD6L	4"	101.60	97.38	119.00	2.11	48.00	0.31	FRD.DNCL.400
FPDC167154060SD6L	6"	152.40	146.86	167.00	2.77	60.00	0.66	FRD.DNCL.600

QR CODE

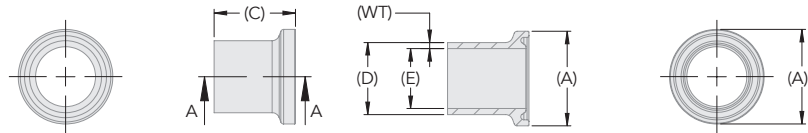
3.7.1

ACL® ISO 1127 Ferrules Standard

Material
1.4404

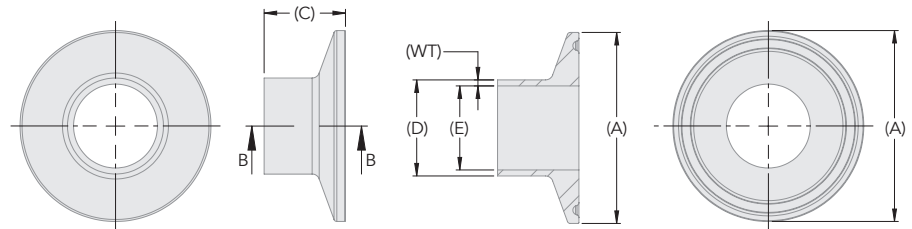


Type A – 25.0mm Flange



Section A-A

Type B – 34.0mm to 338.0mm Flange



Section B-B

ISO 1127 Ferrules – Standard

Part Number	Nominal Size Metric	Dimension (mm)					Weight (kg)	Legacy Part Number
		OD (D)	ID (E)	Flange (A)	Wall (WT)	Length (C)		
FPI7025013021SD6L	DN 8	13.50	10.30	25.00	1.60	21.50	0.02	FR.IS1.D008
FPI7025017021SD6L	DN 10	17.20	14.00	25.00	1.60	21.50	0.02	FR.IS1.D010
FPI7050021021SD6L	DN 15	21.30	18.10	50.50	1.60	21.50	0.08	FR.IS1.D015
FPI7050026021SD6L	DN 20	26.90	23.70	50.50	1.60	21.50	0.08	FR.IS1.D020
FPI7050033021SD6L	DN 25	33.70	29.70	50.50	2.00	21.50	0.07	FR.IS1.D025
FPI7064042021SD6L	DN 32	42.40	38.40	64.00	2.00	21.50	0.11	FR.IS1.D032
FPI7064048021SD6L	DN 40	48.30	44.30	64.00	2.00	21.50	0.09	FR.IS1.D040
FPI7077060021SD6L	DN 50	60.30	56.30	77.50	2.00	21.50	0.12	FR.IS1.D050
FPI7091076021SD6L	DN 65	76.10	72.10	91.00	2.00	21.50	0.14	FR.IS1.D065
FPI7106089021SD6L	DN 80	88.90	84.30	106.00	2.30	21.50	0.18	FR.IS1.D080
FPI7130114028SD6L	DN 100	114.30	109.70	130.00	2.30	28.00	0.25	FR.IS1.D100
FPI7155139028SD6L	DN 125	139.70	134.50	155.00	2.60	28.00	0.37	FR.IS1.D125
FPI7183168028SD6L	DN 150	168.30	163.10	183.00	2.60	28.00	0.51	FR.IS1.D150
FPI7233219028SD6L	DN 200	219.10	213.90	233.50	2.60	28.00	0.66	FR.IS1.D200
FPI7286273028SD6L	DN 250	273.00	267.80	286.10	2.60	28.00	0.93	FR.IS1.D250
FPI7338324028SD6L	DN 300	323.90	318.70	338.50	2.60	28.00	1.28	FR.IS1.D300

QR
CODE

3.7.2

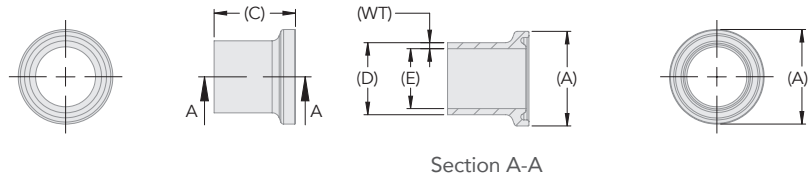
ACL® ISO 1127 Ferrules

Variations

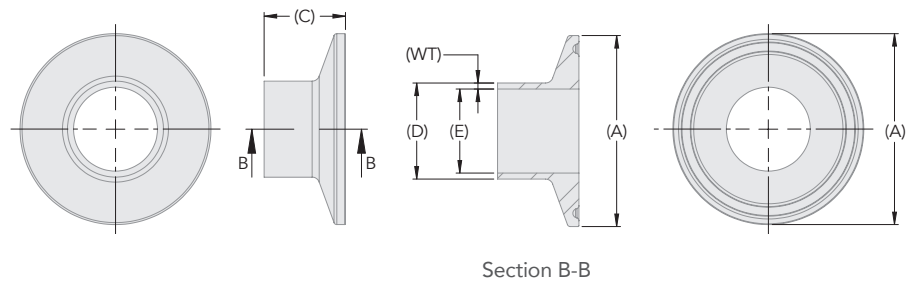
Material
1.4404



Type A – 25.0mm Flange



Type B – 34.0mm to 338.0mm Flange



ISO 1127 Ferrules – Variations

Part Number	Nominal Size	Dimension (mm)					Weight (kg)	Legacy Part Number
	Metric	OD (D)	ID (E)	Flange (A)	Wall (WT)	Length (C)		
FPI8034013018SD6L	DN 8	13.50	10.30	34.00	1.60	18.00	0.03	FR.IS1X.D008.A
FPI8050013021SD6L	DN 8	13.50	10.30	50.50	1.60	21.50	0.04	FR.IS1X.D008.B
FPI8034017018SD6L	DN 10	17.20	14.00	34.00	1.60	18.00	0.03	FR.IS1X.D010.A
FPI8034017021SD6L	DN 10	17.20	14.00	50.50	1.60	21.50	0.04	FR.IS1X.D010.B
FPI8064021018SD6L	DN 15	21.30	18.10	34.00	1.60	18.00	0.03	FR.IS1X.D015.A
FPI8050026021SD6L	DN 20	26.90	23.70	50.50	1.60	21.50	0.07	FR.IS1X.D020.A
FPI8050033021SD6L	DN 25	33.70	30.50	50.50	1.60	21.50	0.07	FR.IS1X.D025.A
FPI8050034021SD6L	DN 25	33.70	31.30	50.50	1.20	21.50	0.05	FR.IS1X.D025.B
FPI8091076021SD6L	DN 65	76.10	72.90	91.00	1.60	21.50	0.12	FR.IS1X.D065.A

QR
CODE

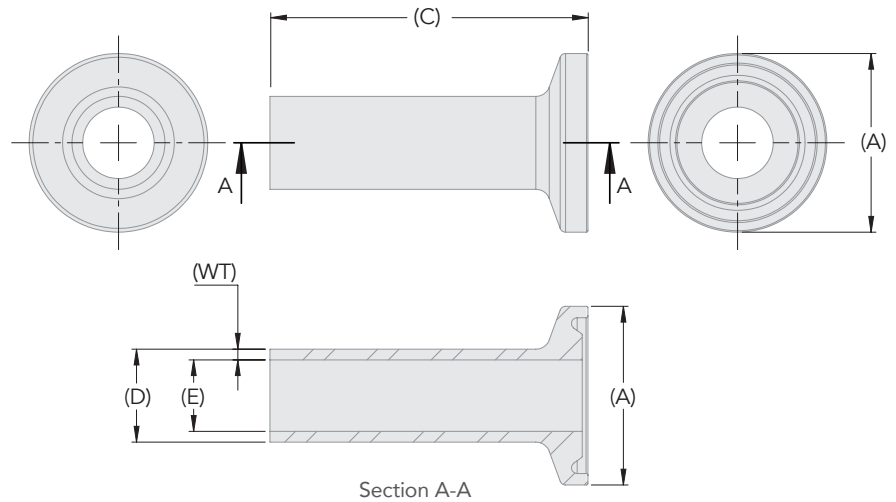
3.8

ACL® Mini-series Ultra-bore Ferrules Metric & Imperial

Material
1.4404



Type A – 25.0mm Flange



Mini-series Ultra-bore Ferrules – Metric

Part Number	Nominal Size	Dimension (mm)					Weight (kg)	Legacy Part Number
	Metric	OD (D)	ID (E)	Flange (A)	Wall (WT)	Length (C)		
FDM2025006021SD6L	6 x 4	6.00	4.00	25.00	1.00	21.50	0.02	FRD.MS.0604
FDM2025008021SD6L	8 x 6	8.00	6.00	25.00	1.00	21.50	0.02	FRD.MS.0806
FDM2025010021SD6L	10 x 8	10.00	8.00	25.00	1.00	21.50	0.02	FRD.MS.1008
FDM2025012021SD6L	12 x 10	12.00	10.00	25.00	1.00	21.50	0.02	FRD.MS.1210
FDM2025014021SD6L	14 x 12	14.00	12.00	25.00	1.00	21.50	0.02	FRD.MS.1412
FDM2025016021SD6L	16 x 14	16.00	14.00	25.00	1.00	21.50	0.02	FRD.MS.1614
FDM2025018021SD6L	18 x 16	18.00	16.00	25.00	1.00	21.50	0.02	FRD.MS.1816

Mini-series Ultra-bore Ferrules – Imperial

Part Number	Nominal Size	Dimension (mm)					Weight (kg)	Legacy Part Number
	Imperial	OD (D)	ID (E)	Flange (A)	Wall (WT)	Length (C)		
FDM2025635021SD6L	¼"	6.35	4.57	25.00	0.89	21.50	0.02	FRD.MSI.025
FDM2025952021SD6L	⅜"	9.53	7.71	25.00	0.91	21.50	0.02	FRD.MSI.038
FDB4025127021SD6L	½"	12.70	9.52	25.00	1.59	21.50	0.02	FRD.MSI.050
FDB4025195021SD6L	¾"	19.05	15.87	25.00	1.59	21.50	0.02	FRD.MSI.075

QR CODE

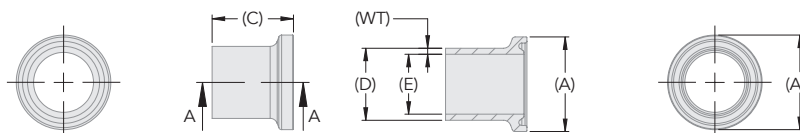
3.9

ACL[®] SMS 3008/3017 Ferrules

Material
1.4404

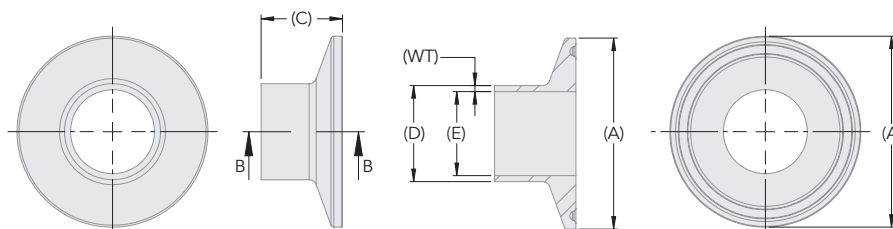


Type A – 25.0mm Flange



Section A-A

Type B – 34.0mm to 338.0mm Flange



Section B-B

SMS 3008 Ferrules

Part Number	Nominal Size		Dimension (mm)					Weight (kg)	Legacy Part Number
	Metric (mm)	Imperial (inches)	OD (D)	ID (E)	Flange (A)	Wall (WT)	Length (C)		
FPS8025018021SD6L	18	¾	18.00	16.00	25.00	1.00	21.50	0.02	FR.SM8.0075
FPS8050025021SD6L	25	1	25.00	22.60	50.50	1.20	21.50	0.07	FR.SM8.0100
FPS8050038021SD6L	38	1½	38.00	35.60	50.50	1.20	21.50	0.05	FR.SM8.0150
FPS8064051021SD6L	51	2	51.00	48.60	64.00	1.20	21.50	0.06	FR.SM8.0200
FPS8077063021SD6L	63.5	2½	63.50	60.30	77.50	1.60	21.50	0.10	FR.SM8.0250
FPS8091076021SD6L	76.1	3	76.10	72.90	91.00	1.60	21.50	0.12	FR.SM8.0300
FPS8106089021SD6L	89	3½	89.00	85.00	106.00	2.00	21.50	0.21	FR.SM8.0350
FPS8119101021SD6L	101.6	4	101.60	97.60	119.00	2.00	21.50	0.21	FR.SM8.0400

SMS 3017 Ferrules

Part Number	Nominal Size		Dimension (mm)					Weight (kg)	Legacy Part Number
	Metric (mm)	Imperial (inches)	OD (D)	ID (E)	Flange (A)	Wall (WT)	Length (C)		
FPS7050025021SD6L	25	1	25.60	22.60	50.50	1.50	21.50	0.02	FR.SM7.0100
FPS7050034021SD6L	33.7	1¼	33.70	30.70	50.50	1.50	21.50	0.07	FR.SM7.0125
FPS7050038021SD6L	38	1½	38.00	35.60	50.50	1.50	21.50	0.05	FR.SM7.0150
FPS7064051021SD6L	51	2	51.00	48.60	64.00	1.60	21.50	0.06	FR.SM7.0200
FPS7077064021SD6L	63.5	2½	63.50	60.30	77.50	1.90	21.50	0.10	FR.SM7.0250
FPS7091076021SD6L	76.1	3	76.10	72.90	91.00	1.90	21.50	0.12	FR.SM7.0300
FPS7106089021SD6L	88.9	3½	88.90	84.90	106.00	2.45	21.50	0.21	FR.SM7.0350
FPS7119102021SD6L	101.6	4	101.60	97.60	119.00	2.45	21.50	0.21	FR.SM7.0400

QR
CODE

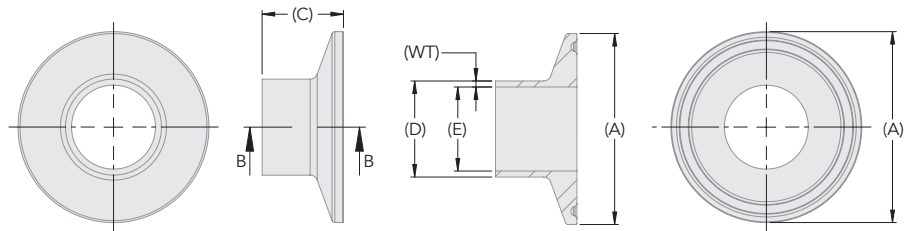
3.10

ACL® SWG Ferrules

Material
1.4404



Type B – 50.5mm to 338.0mm Flange



Section B-B

SWG Ferrules

Part Number	Nominal Size		Dimension (mm)					Weight (kg)	Legacy Part Number
	Metric (mm)	Imperial (inches)	OD (D)	ID (E)	Flange (A)	Wall (WT)	Length (C)		
FPS1050025021S56L	25.4	1	25.40	22.10	50.50	1.65	21.50	0.07	FR.SW.0100
FPS1050038021S56L	38.1	1½	38.10	34.80	50.50	1.65	21.50	6.00	FR.SW.0150
FPS1064051021SD6L	51	2	50.80	47.50	64.00	1.65	21.50	0.08	FR.SW.0200
FPS1077063021SD6L	63.5	2½	63.50	60.20	77.50	1.65	21.50	0.10	FR.SW.0250
FPS1091076021SD6L	76.1	3	76.20	72.90	91.00	1.65	21.50	0.13	FR.SW.0300
FPS1119101021SD6L	101.6	4	101.60	97.40	119.00	2.10	21.50	0.21	FR.SW.0400

QR
CODE

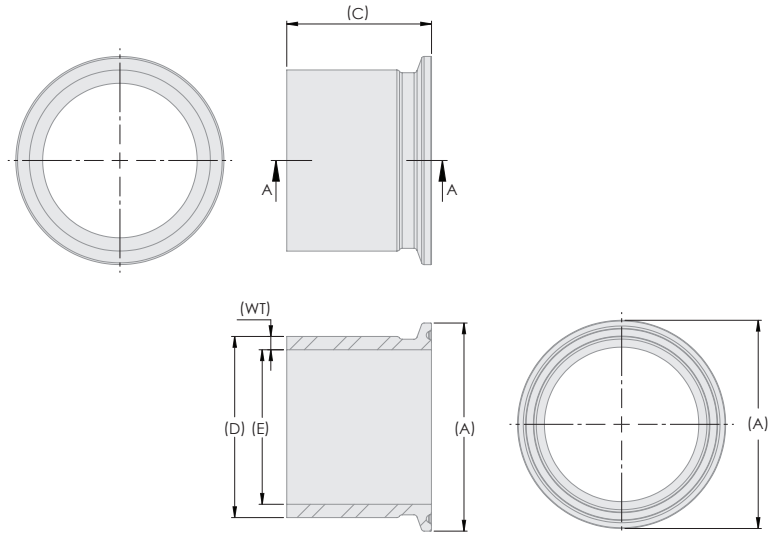
3.11

ACL® MPW Tank Ferrules

Material
1.4404



Type B – 50.5mm to 217.40mm Flange



Section A-A

MPW Tank Ferrules

Part Number	Nominal Size	Dimension (mm)						Legacy Part Number
	Imperial	OD (D)	ID (E)	Flange (A)	Wall (WT)	Neck (S)	Length (C)	
FPM1050029041SD6L	1"	29.46	22.10	50.50	3.68	24.96	41.30	FR.MPW.0100
FPM1050042041SD6L	1½"	42.57	34.80	50.50	3.89	40.50	41.30	FR.MPW.0150
FPM1064055044SD6L	2"	55.68	47.50	64.00	4.09	54.00	44.50	FR.MPW.0200
FPM1077068044SD6L	2½"	68.78	60.20	77.50	4.29	67.50	44.50	FR.MPW.0250
FPM1091081046SD6L	3"	81.89	72.90	91.00	4.50	81.00	46.00	FR.MPW.0300
FPM1119108054SD6L	4"	108.10	97.38	119.00	5.36	105.00	54.00	FR.MPW.0400
FPM1167157063SD6L	6"	157.28	146.25	167.00	5.52	155.00	63.50	FR.MPW.0600
FPM1217208063SD6L	8"	208.08	197.08	217.40	5.52	205.00	63.50	FR.MPW.0800

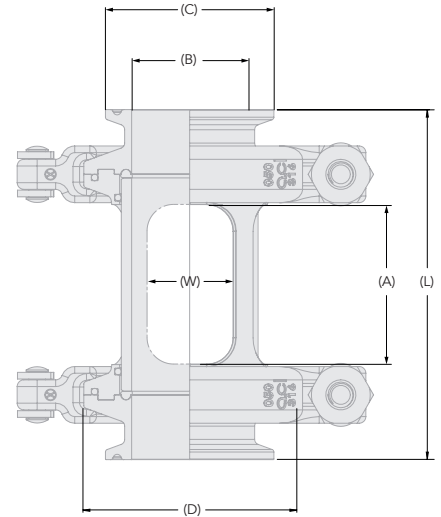
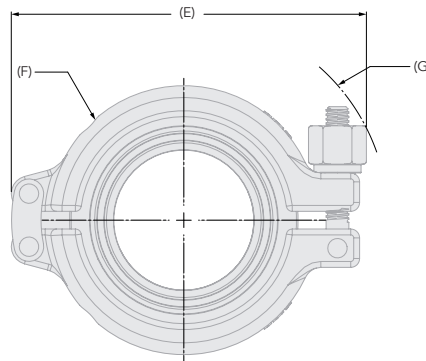
QR
CODE

4.1

ACL® CT-SVFI-SHX

Clamp-type Sterile Visual Flow Indicator

Material
1.4404



Clamp-type Sterile Visual Flow Indicators

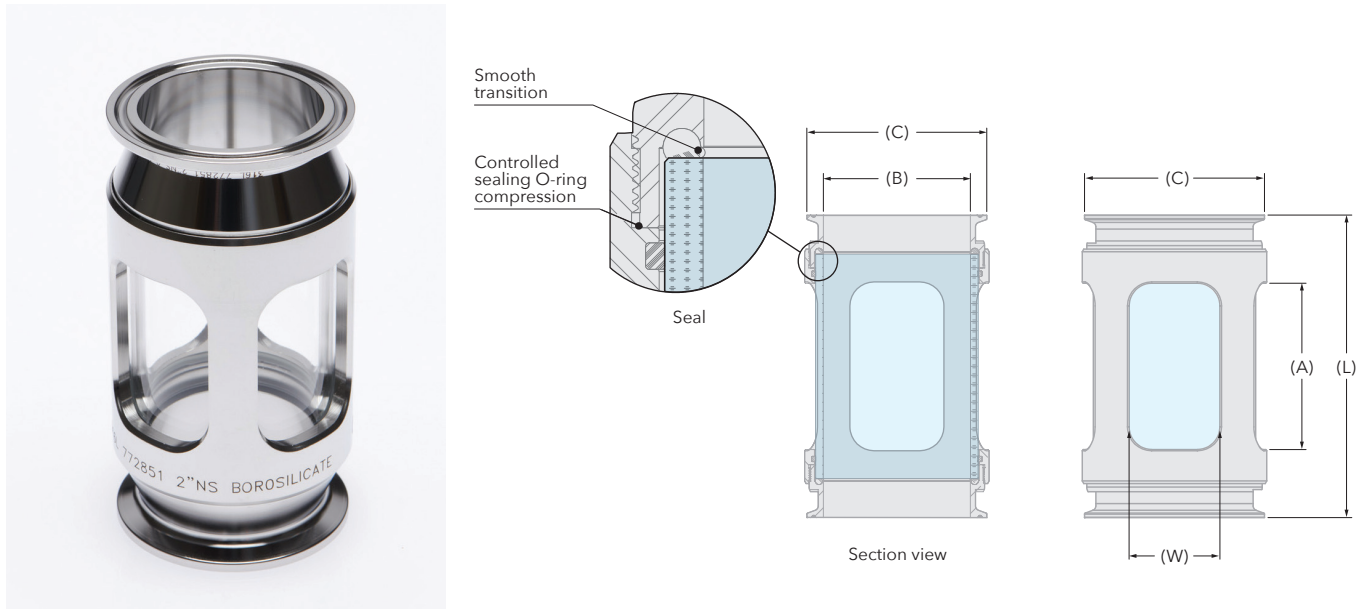
Part Number	Nominal Size	Dimension (mm)								Working Pressure (Bar)	Mass (kg)	Legacy Part Number
	Imperial	Window (A) x (W)	ID (B)	Mating Flange (C)	Integral Flange (D)	Length (L)	Width (E)	Minor OD (F)	Major OD (G)			
SCEKA1025127S46L	1/2"	24 x 8	9.40	25.0	34.0	76.0	85.0	46.3	136.0	20.0	0.58	SG.SC.050
SCEKA1025195S46L	3/4"	29 x 13	15.75	25.0	50.5	87.0	102.0	62.2	154.0	17.5	0.90	SG.SC.075
SCEKA1050025S46L	1"	34 x 16	22.10	50.5	50.5	90.0	102.0	62.2	154.0	8.5	1.01	SG.SC.100
SCEKA1050038S46L	1 1/2"	48 x 26	34.80	50.5	64.0	105.0	123.0	77.7	186.0	8.0	1.19	SG.SC.150
SCEKA1050051S46L	2"	55 x 36	47.50	64.0	77.5	120.0	140.0	91.2	200.0	7.0	1.53	SG.SC.200
SCEKA1077063S46L	2 1/2"	72 x 33	60.20	77.5	91.0	151.0	150.0	104.7	212.0	6.5	1.90	SG.SC.250
SCEKA1091076S46L	3"	108 x 36	72.90	91.0	106.0	175.0	165.0	119.7	226.0	6.5	2.51	SG.SC.300
SCEKA1119101S46L	4"	135 x 48	97.38	119.0	130.0	200.0	191.0	143.7	256.0	4.0	3.47	SG.SC.400
SCEKA1167152S46L	6"											

QR CODE

4.2

ACL® SVFI Sterile Visual Flow Indicator

Material
1.4404



Sterile Visual Flow Indicators

Part Number	Nominal Size	Dimension (mm)				Working Pressure (Bar)	Mass (kg)	Legacy Part Number
	Imperial	Window (A) x (W)	ID (B)	Flange (C)	Length (L)			
SVEKA1025952S46L	3/8"	16 x 8	7.70	25.40	65.00	22.00	0.09	SG.SV.038
SVEKA1025127S46L	1/2"	20 x 9	9.50	25.40	76.00	20.00	0.12	SG.SV.050
SVEKA1025195S46L	3/4"	27 x 11	15.80	25.40	87.00	17.50	0.15	SG.SV.075
SVEKA1050025S46L	1"	30 x 16	22.10	50.50	91.00	8.50	0.37	SG.SV.100
SVEKA1050038S46L	1 1/2"	40 x 24	34.80	50.50	105.00	8.00	0.40	SG.SV.150
SVEKA1064051S46L	2"	48 x 34	47.50	64.00	120.00	7.00	0.63	SG.SV.200
SVEKA1077063S46L	2 1/2"	55 x 40	60.30	77.50	151.00	6.50	1.15	SG.SV.250
SVEKA1091076S46L	3"	90 x 50	72.90	91.00	175.00	6.50	1.46	SG.SV.300
SVEKA1119101S46L	4"	110 x 60	97.40	119.00	200.00	4.00	2.78	SG.SV.400
SVEKA1167152S46L	6"	150 x 80	150.00	167.00	250.00	3.00	6.00	SG.SV.600

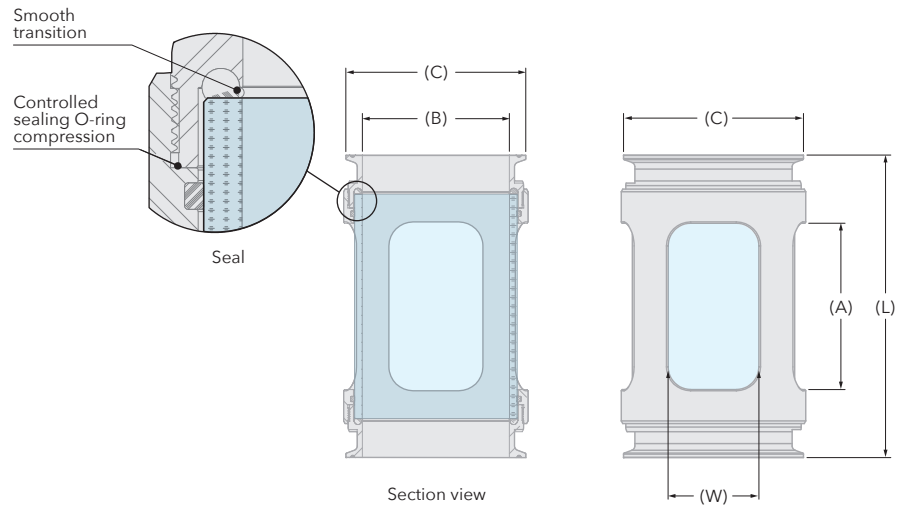
QR
CODE

4.3

ACL® DIN SVFI

DIN 32676 Sterile Visual Flow Indicator

Material
1.4404



DIN 32676 Sterile Visual Flow Indicators

Part Number	Nominal Size	Dimension (mm)				Working Pressure (Bar)	Mass (kg)	Legacy Part Number
	Metric (DIN)	Window (A) x (W)	ID (B)	Flange (C)	Length (L)			
SVEKDA034013S46L	10	10 x 20	10.00	34.00	80.00	28.00	0.19	SG.SV.D010
SVEKDA034019S46L	15	12.5 x 27	16.00	34.00	87.00	18.00	0.20	SG.SV.D015
SVEKDA034023S46L	20	15 x 30	20.00	34.00	90.00	15.00	0.22	SG.SV.D020
SVEKDA050029S46L	25	19 x 38	26.00	50.50	95.00	12.90	0.38	SG.SV.D025
SVEKDA050035S46L	32	23.5 x 42	32.00	50.50	102.00	10.90	0.30	SG.SV.D032
SVEKDA050041S46L	40	28 x 51	38.00	50.50	108.00	10.90	0.39	SG.SV.D040
SVEKDA064053S46L	50	38 x 64	50.00	64.00	124.00	9.00	0.74	SG.SV.D050
SVEKDA091070S46L	65	51 x 83	66.00	91.00	162.00	9.80	1.29	SG.SV.D065
SVEKDA106085S46L	80	58 x 98	81.00	106.00	183.00	8.10	1.95	SG.SV.D080
SVEKDA119104S46L	100	71 x 107	100.00	119.00	202.00	6.70	2.20	SG.SV.D100
SVEKDA155129S46L	125	82 x 127	125.00	155.00	225.00	7.20	3.55	SG.SV.D125
SVEKDA183154S46L	150	95 x 148	150.00	183.00	251.00	6.10	6.35	SG.SV.D150

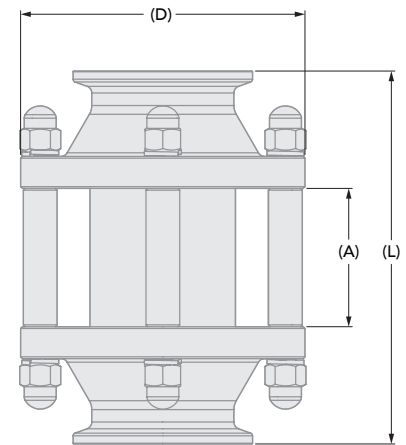
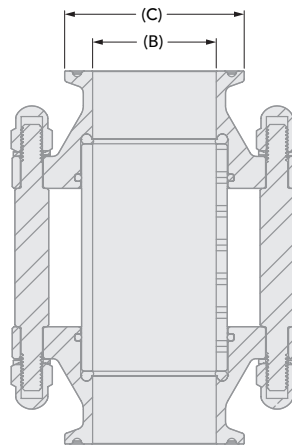
QR
CODE

4.4

ACL® FVFI

Full View Flow Indicator

Material
1.4404



Full View Flow Indicators

Part Number	Nominal Size	Dimension (mm)					Working Pressure (Bar)	Mass (kg)	Legacy Part Number
	Imperial	View (A)	ID (B)	Flange (C)	OD (D)	Length (L)			
SFEKA1025952S46L	3/8"	27.50	7.70	25.40	50.00	90.00	22.00	0.41	SG.FV.038
SFEKA1025127S46L	1/2"	27.50	9.50	25.40	50.00	90.00	20.00	0.40	SG.FV.050
SFEKA1025195S46L	3/4"	27.50	15.80	25.40	50.00	90.00	17.50	0.39	SG.FV.075
SFEKA1050025S46L	1"	33.00	22.10	50.50	70.00	105.00	8.50	0.96	SG.FV.100
SFEKA1050038S46L	1 1/2"	39.00	34.80	50.50	80.00	105.00	8.00	0.95	SG.FV.150
SFEKA1064051S46L	2"	60.00	47.50	64.00	100.00	140.00	7.00	1.56	SG.FV.200
SFEKA1077063S46L	2 1/2"	86.00	60.30	77.50	115.00	151.00	6.50	2.20	SG.FV.250
SFEKA1091076S46L	3"	90.00	72.90	91.00	127.00	181.00	6.50	2.87	SG.FV.300
SFEKA1119101S46L	4"	100.00	97.40	119.00	156.00	206.00	4.00	4.58	SG.FV.400
SFEKA1167152S46L	6"	150.00	150.00	167.00	214.00	254.00	3.00	8.41	SG.FV.600

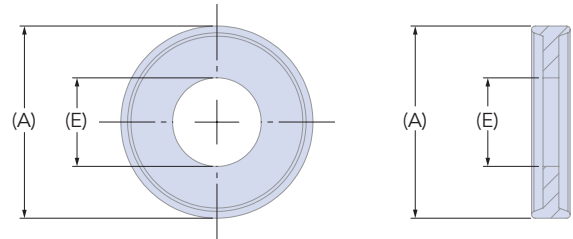
QR
CODE

5.1

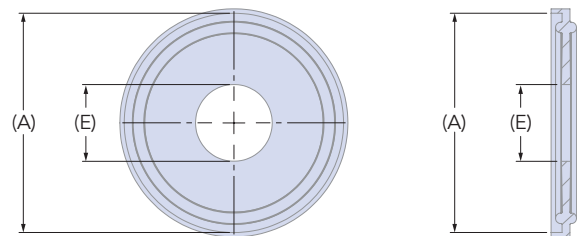
ACL® BS 4825 Gaskets



Gasket configurations for all 25.0mm flange sizes



Gasket configurations for all flange sizes except 25.4mm



BS4825 Gaskets

Part Number	Nominal Size	Dimension (mm)		Legacy Part Number
	Imperial	ID (E)	Flange (A)	
GPULB4025127	½"	9.52	22.0*	GK.BS.0050
GPULB4025195	¾"	15.87	22.0*	GK.BS.0075
GPLPB4050025	1"	22.20	50.50	GK.BS.0100
GPLPB4050038	1½"	34.90	50.50	GK.BS.0150
GPLPB4064051	2"	47.60	64.00	GK.BS.0200
GPLPB4077063	2½"	60.30	77.50	GK.BS.0250
GPLPB4091076	3"	73.00	91.00	GK.BS.0300
GPLPB4106089	3½"	84.70	106.00	GK.BS.0350
GPLPB4119101	4"	97.60	119.00	GK.BS.0400
GPLPB4130114	4½"	110.30	130.00	GK.BS.0450
GPLPB4144127	5"	123.00	144.00	GK.BS.0500
GPLPB4155140	5½"	135.76	155.00	GK.BS.0550
GPLPB4167154	6"	150.00	167.00	GK.BS.0600
GPLPB4183169	6⅝"	163.10	183.00	GK.BS.0658
GPLPB4217204	8"	200.00	217.40	GK.BS.0800
GPLPB4233220	8⅝"	213.90	233.50	GK.BS.0858
GPLPB4268254	10"	250.00	268.00	GK.BS.1000
GPLPB4286273	10⅝"	266.30	286.10	GK.BS.1058
GPLPB4319304	12"	300.80	319.00	GK.BS.1200
GPLPB4338324	12⅝"	315.90	338.00	GK.BS.1258

Gasket Material Codes

Material Type	Ordering Code
EPDM Blue	EU
EPDM Black	EK
Silicone White	SW
Silicone Translucent	ST
FKM Green	VG
FKM Black	VB
PTFE Solid	PS
PTFE Envelope (Viton®)	PE
PTFE Envelope (EPDM)	PZ
Nitrile	NT

Ordering Code Example

4" Gasket	Material
GPLPB4119101	EPDM Blue
Order code = GPLPB4119101EU	

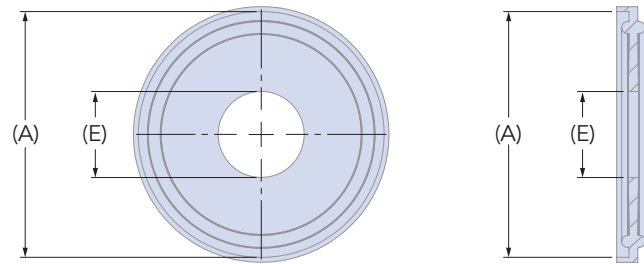
QR CODE

5.2

ACL® BS Schedule 5 Gaskets



Gasket configurations for all flange sizes except 25.0mm



BS Schedule 5 Gaskets

Part Number	Nominal Size	Dimension (mm)		Legacy Part Number
	Imperial	ID (E)	Flange (A)	
GPLPB1050021	½"	18.03	50.50	GK.BS05.0050
GPLPB1064026	¾"	23.37	50.50	GK.BS05.0075
GPLPB1077033	1"	30.10	50.50	GK.BS05.0100
GPLPB1064042	1¼"	38.86	64.00	GK.BS05.0125
GPLPB1064048	1½"	44.96	64.00	GK.BS05.0150
GPLPB1091060	2"	57.02	77.50	GK.BS05.0200
GPLPB1091073	2½"	68.81	91.00	GK.BS05.0250
GPLPB1106089	3"	84.68	106.00	GK.BS05.0300
GPLPB1119101	3½"	97.38	119.00	GK.BS05.0350
GPLPB1130114	4"	110.08	130.00	GK.BS05.0400
GPLPB1155141	5"	135.76	155.00	GK.BS05.0500
GPLPB1183168	6"	162.74	183.00	GK.BS05.0600
GPLPB1233219	8"	213.54	233.50	GK.BS05.0800
GPLPB1286273	10"	266.25	286.10	GK.BS05.1000
GPLPB1338324	12"	315.93	338.00	GK.BS05.1200

Gasket Material Codes

Material Type	Ordering Code
EPDM Blue	EU
EPDM Black	EK
Silicone White	SW
Silicone Translucent	ST
FKM Green	VG
FKM Black	VB
PTFE Solid	PS
PTFE Envelope (Viton®)	PE
PTFE Envelope (EPDM)	PZ
Nitrile	NT

Ordering Code Example

4" Gasket	Material
GPLPB1130114	EPDM Blue
Order code = GPLPB1130114EU	

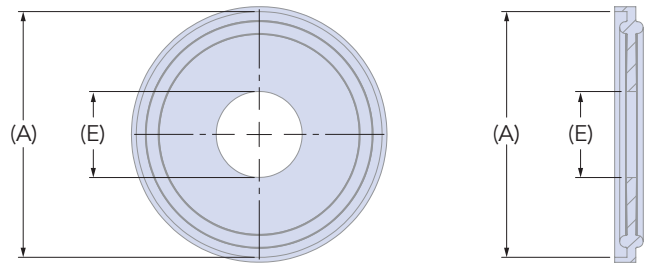
QR CODE

5.3

ACL® BS Schedule 10 Gaskets



Gasket configurations for all flange sizes except 25.0mm



BS Schedule 10 Gaskets

Part Number	Nominal Size	Dimension (mm)		Legacy Part Number
	Imperial	ID (E)	Flange (A)	
GPLPB2050021	½"	17.10	50.50	GK.BS10.0050
GPLPB2050026	¾"	22.45	50.50	GK.BS10.0075
GPLPB2050033	1"	27.86	50.50	GK.BS10.0100
GPLPB2064042	1¼"	36.62	64.00	GK.BS10.0125
GPLPB2064048	1½"	42.72	64.00	GK.BS10.0150
GPLPB2077060	2"	54.79	77.50	GK.BS10.0200
GPLPB2091073	2½"	66.93	91.00	GK.BS10.0250
GPLPB2106089	3"	82.80	106.00	GK.BS10.0300
GPLPB2119101	3½"	95.50	119.00	GK.BS10.0350
GPLPB2130114	4"	108.20	130.00	GK.BS10.0400
GPLPB2155141	5"	134.50	155.00	GK.BS10.0500
GPLPB2183168	6"	161.47	183.00	GK.BS10.0600
GPLPB2233219	8"	211.56	233.50	GK.BS10.0800
GPLPB2286273	10"	264.67	286.10	GK.BS10.1000
GPLPB2338324	12"	314.71	338.00	GK.BS10.1200

Gasket Material Codes

Material Type	Ordering Code
EPDM Blue	EU
EPDM Black	EK
Silicone White	SW
Silicone Translucent	ST
FKM Green	VG
FKM Black	VB
PTFE Solid	PS
PTFE Envelope (Viton®)	PE
PTFE Envelope (EPDM)	PZ
Nitrile	NT

Ordering Code Example

4" Gasket	Material
GPLPB2130114	EPDM Blue
Order code = GPLPB2130114EU	

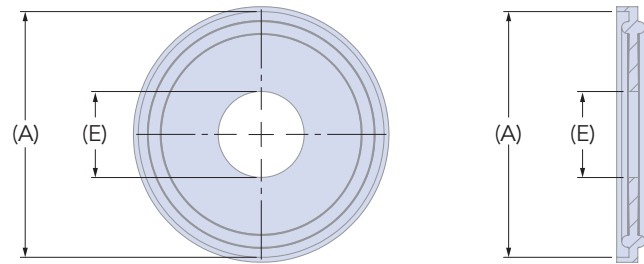
QR CODE

5.4

ACL® BS Schedule 40 Gaskets



Gasket configurations for all flange sizes except 25.0mm



BS Schedule 40 Gaskets

Part Number	Nominal Size	Dimension (mm)		Legacy Part Number
	Imperial	ID (E)	Flange (A)	
GPLPB3050021	½"	15.80	50.50	GK.BS40.0050
GPLPB3050026	¾"	20.93	50.50	GK.BS40.0075
GPLPB3050033	1"	26.64	50.50	GK.BS40.0100
GPLPB3064042	1¼"	35.04	64.00	GK.BS40.0125
GPLPB3064048	1½"	40.88	64.00	GK.BS40.0150
GPLPB3077060	2"	52.51	77.50	GK.BS40.0200
GPLPB3091073	2½"	62.71	91.00	GK.BS40.0250
GPLPB3106089	3"	77.92	106.00	GK.BS40.0300
GPLPB3119101	3½"	90.12	119.00	GK.BS40.0350
GPLPB3130114	4"	102.26	130.00	GK.BS40.0400
GPLPB3155141	5"	128.20	155.00	GK.BS40.0500
GPLPB3183168	6"	154.06	183.00	GK.BS40.0600
GPLPB3233219	8"	202.72	233.50	GK.BS40.0800
GPLPB3286273	10"	254.51	286.10	GK.BS40.1000
GPLPB3338324	12"	304.79	338.00	GK.BS40.1200

Gasket Material Codes

Material Type	Ordering Code
EPDM Blue	EU
EPDM Black	EK
Silicone White	SW
Silicone Translucent	ST
FKM Green	VG
FKM Black	VB
PTFE Solid	PS
PTFE Envelope (Viton®)	PE
PTFE Envelope (EPDM)	PZ
Nitrile	NT

Ordering Code Example

4" Gasket	Material
GPLPB3130114	EPDM Blue
Order code = GPLPB3130114EU	

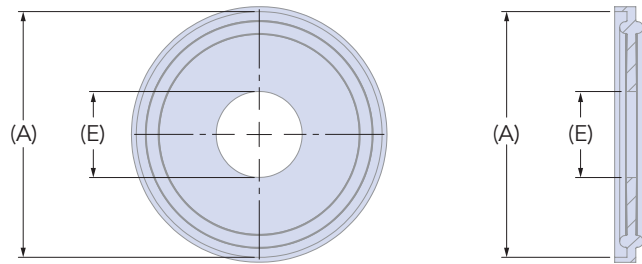
QR CODE

5.5

ACL® DIN 32676 Gaskets



Gasket configurations for all flange sizes except 25.0mm



DIN 32676 Gaskets

Part Number	Nominal Size	Dimension (mm)		Legacy Part Number
	Metric	ID (E)	Flange (A)	
GPLPD2034013	DIN 10	10.00	34.00	GK.DN.010
GPLPD2034019	DIN 15	16.00	34.00	GK.DN.015
GPLPD2034023	DIN 20	20.00	34.00	GK.DN.020
GPLPD2050029	DIN 25	26.00	50.50	GK.DN.025
GPLPD2050035	DIN 32	32.00	50.50	GK.DN.032
GPLPD2050041	DIN 40	38.00	50.50	GK.DN.040
GPLPD2064053	DIN 50	50.00	64.00	GK.DN.050
GPLPD2091070	DIN 65	66.00	91.00	GK.DN.065
GPLPD2106085	DIN 80	81.00	106.00	GK.DN.080
GPLPD2119104	DIN 100	100.00	119.00	GK.DN.100
GPLPD2155129	DIN 125	125.00	155.00	GK.DN.125
GPLPD2183154	DIN 150	150.00	183.00	GK.DN.150
GPLPD2233204	DIN 200	200.00	233.50	GK.DN.200
GPLPD2144127	DIN 125	125.00	144.40	GK.DNX.125
GPLPD2167154	DIN 150	150.00	167.00	GK.DNX.150
GPLPD2217204	DIN 200	200.00	217.40	GK.DNX.200
GPLPD2268254	DIN 250	250.00	268.00	GK.DNX.250
GPLPD2319304	DIN 300	300.00	319.00	GK.DNX.300

Gasket Material Codes

Material Type	Ordering Code
EPDM Blue	EU
EPDM Black	EK
Silicone White	SW
Silicone Translucent	ST
FKM Green	VG
FKM Black	VB
PTFE Solid	PS
PTFE Envelope (Viton®)	PE
PTFE Envelope (EPDM)	PZ
Nitrile	NT

Ordering Code Example

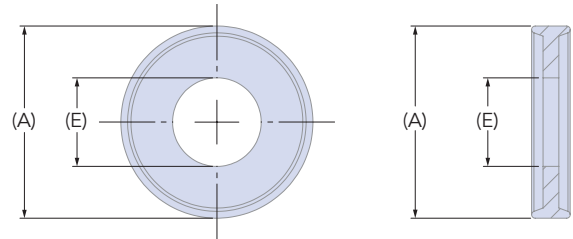
DIN 50 Gasket	Material
GPLPD2064053	EPDM Blue
Order code = GPLPD2064053EU	

QR CODE

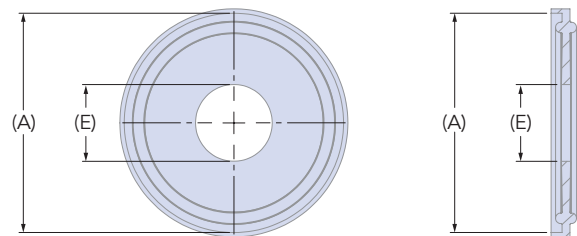
5.6.1 ACL® ISO 1127 Gaskets Standard



Gasket configurations for all 25.0mm flange sizes



Gasket configurations for all flange sizes except 25.4mm



ISO 1127 Gaskets – Standard

Part Number	Nominal Size	Dimension (mm)		Legacy Part Number
	ISO	ID (E)	Flange (A)	
GPULI7025013	8	10.30	22.00	GK.IS1.D008
GPULI7025017	10	14.00	22.00	GK.IS1.D010
GPLPI7050021	15	18.10	50.50	GK.IS1.D015
GPLPI7050026	20	22.90	50.50	GK.IS1.D020
GPLPI7050033	25	29.70	50.50	GK.IS1.D025
GPLPI7064042	32	38.40	64.00	GK.IS1.D032
GPLPI7064048	40	44.30	64.00	GK.IS1.D040
GPLPI7077060	50	56.30	77.50	GK.IS1.D050
GPLPI7091076	65	72.10	91.00	GK.IS1.D065
GPLPI7106089	80	84.90	106.00	GK.IS1.D080
GPLPI7130114	100	110.30	130.00	GK.IS1.D100
GPLPI7155140	125	135.70	155.00	GK.IS1.D125
GPLPI7183169	150	163.10	183.00	GK.IS1.D150
GPLPI7233220	200	213.90	233.50	GK.IS1.D200
GPLPI7286273	250	267.80	286.10	GK.IS1.D250
GPLPI7338324	300	318.70	338.50	GK.IS1.D300

Gasket Material Codes

Material Type	Ordering Code
EPDM Blue	EU
EPDM Black	EK
Silicone White	SW
Silicone Translucent	ST
FKM Green	VG
FKM Black	VB
PTFE Solid	PS
PTFE Envelope (Viton®)	PE
PTFE Envelope (EPDM)	PZ
Nitrile	NT

Ordering Code Example

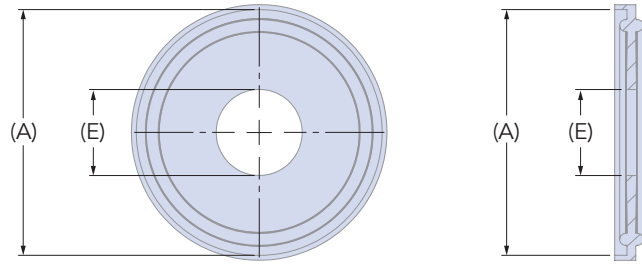
ISO 50 Gasket	Material
GPLPI7077060	EPDM Blue
Order code = GPLPI7077060EU	

5.6.2 ACL® ISO 1127 Gaskets

Variations



Gasket configurations for all flange sizes except 25.0mm



ISO 1127 Gaskets – Variations

Part Number	Nominal Size	Dimension (mm)		Legacy Part Number
	ISO	ID (E)	Flange (A)	
GPLPI8034013	8	10.30	34.00	GK.IS1X.D008.A
GPLPI8050013	8	10.30	50.50	GK.IS1X.D008.B
GPLPI8034017	10	14.00	34.00	GK.IS1X.D010.A
GPLPI8050017	10	14.00	50.50	GK.IS1X.D010.B
GPLPI8034021	15	18.10	34.00	GK.IS1X.D015.A
GPLPI8050026	20	23.70	50.50	GK.IS1X.D020.B
GPLPI8050033	25	30.50	50.50	GK.IS1X.D025.A
GPLPI8050034	25	31.30	50.50	GK.IS1X.D025.B
GPLPI8091076	65	72.90	91.00	GK.IS1X.D065.A

Gasket Material Codes

Material Type	Ordering Code
EPDM Blue	EU
EPDM Black	EK
Silicone White	SW
Silicone Translucent	ST
FKM Green	VG
FKM Black	VB
PTFE Solid	PS
PTFE Envelope (Viton®)	PE
PTFE Envelope (EPDM)	PZ
Nitrile	NT

Ordering Code Example

ISO 20 Gasket	Material
GPLPI8050026	EPDM Blue
Order code = GPLPI8050026EU	

QR CODE

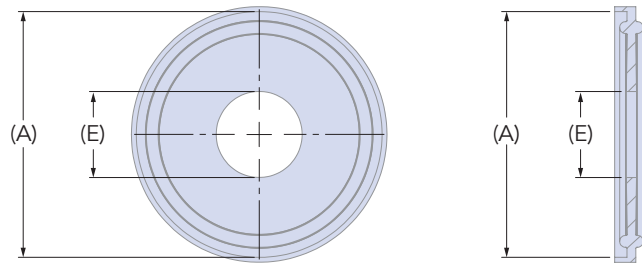
5.7

ACL® ISO 2037 Gaskets

Series 1 & 2



Gasket configurations for all flange sizes except 25.0mm



ISO 2037 Gaskets – Series 1

Part Number	Nominal Size	Dimension (mm)		Legacy Part Number
	Metric	ID (E)	Flange (A)	
GPLPI2050195	20	17.60	50.50	GK.IS21.M020
GPLPI2050025	25	22.60	50.50	GK.IS21.M025
GPLPI2050038	38	35.60	50.50	GK.IS21.M038
GPLPI2050041	40	37.60	50.50	GK.IS21.M040
GPLPI2064051	51	48.60	64.00	GK.IS21.M051

Gasket Material Codes

Material Type	Ordering Code
EPDM Blue	EU
EPDM Black	EK
Silicone White	SW
Silicone Translucent	ST
FKM Green	VG
FKM Black	VB
PTFE Solid	PS
PTFE Envelope (Viton®)	PE
PTFE Envelope (EPDM)	PZ
Nitrile	NT

ISO 2037 Gaskets – Series 2

Part Number	Nominal Size	Dimension (mm)		Legacy Part Number
	ISO	ID (E)	Flange (A)	
GPLPI3050025	25	21.80	50.50	GK.IS22.M025
GPLPI3050038	38	34.80	50.50	GK.IS22.M038
GPLPI3050041	40	36.80	50.50	GK.IS22.M040
GPLPI3064051	51	47.80	64.00	GK.IS22.M051
GPLPI3077063	63.5	60.30	77.50	GK.IS22.M063
GPLPI3091070	70	66.80	91.00	GK.IS22.M070
GPLPI3119101	101.6	97.60	119.00	GK.IS22.M101

Ordering Code Example

ISO 40 Gasket	Material
GPLPI3050041	EPDM Blue
Order code = GPLPI3050041EU	

QR CODE

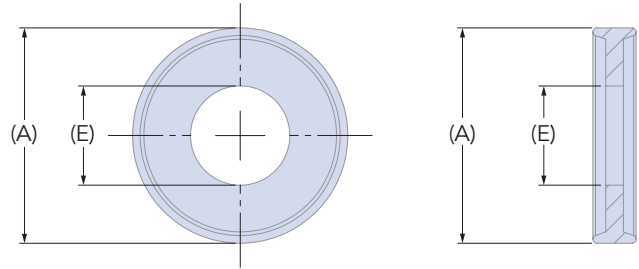
5.8

ACL® Mini Series Gaskets

Metric & Imperial



Gasket configurations for all 25.0mm flange sizes



Mini Series Gaskets – Metric

Part Number	Nominal Size	Dimension (mm)			Legacy Part Number
	Metric	Actual ID (V)	ID (E)	Flange (A)	
GPULM2025006	4	6.32	4.00	22.00	GK.MS.04
GPULM2025008	6	7.32	6.00	22.00	GK.MS.06
GPULM2025010	8	9.54	8.00	22.00	GK.MS.08
GPULM2025012	10	11.32	10.00	22.00	GK.MS.10
GPULM2025014	12	13.34	12.00	22.00	GK.MS.12
GPULM2025016	14	15.61	16.00	22.00	GK.MS.14
GPULM2025018	16	16.49	16.00	22.00	GK.MS.16

Gasket Material Codes

Material Type	Ordering Code
EPDM Blue	EU
EPDM Black	EK
Silicone White	SW
Silicone Translucent	ST
FKM Green	VG
FKM Black	VB
PTFE Solid	PS
PTFE Envelope (Viton®)	PE
PTFE Envelope (EPDM)	PZ
Nitrile	NT

Mini Series Gaskets – Imperial

Part Number	Nominal Size	Dimension (mm)			Legacy Part Number
	Metric	Actual ID (V)	ID (E)	Flange (A)	
GPULM2025635	1/4"	6.32	4.57	22.00	GK.MSI.025
GPULM2025952	3/8"	9.54	7.71	22.00	GK.MSI.038
GPULM2025127	1/2"	11.21	9.52	22.00	GK.MSI.050
GPULM2025195	3/4"	16.49	15.87	22.00	GK.MSI.075

Ordering Code Example

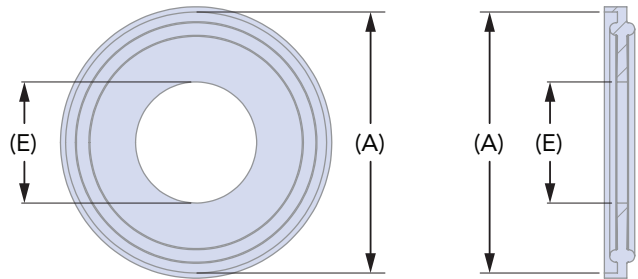
Metric 10 Gasket	Material
GPULM2025012	EPDM Blue
Order code = GPULM2025012EU	

QR CODE

5.9

ACL® Metal Detectable Gaskets

EPDM Blue / EPDM Black



BS 4825 Part 3 Metal Detectable Gaskets Range - EPDM Blue

Part Number	Nominal Size	Dimension (mm)		Legacy Part Number
	Imperial	ID (E)	Flange (A)	
GDLPB4050025UX	1"	22.20	50.50	GK.BSM.0100
GDLPB4050038UX	1½"	34.90	50.50	GK.BSM.0150
GDLPB4064051UX	2"	47.60	64.00	GK.BSM.0200
GDLPB4077063UX	2½"	60.30	77.50	GK.BSM.0250
GDLPB4091076UX	3"	73.00	91.00	GK.BSM.0300
GDLPB4119101UX	4"	97.60	119.00	GK.BSM.0400

BS 4825 Part 3 Metal Detectable Gaskets Range - EPDM Black

Part Number	Nominal Size	Dimension (mm)		Legacy Part Number
	Imperial	ID (E)	Flange (A)	
GDLPB4050025EX	1"	22.20	50.50	GK.BSM.0100
GDLPB4050038EX	1½"	34.90	50.50	GK.BSM.0150
GDLPB4064051EX	2"	47.60	64.00	GK.BSM.0200
GDLPB4077063EX	2½"	60.30	77.50	GK.BSM.0250
GDLPB4091076EX	3"	73.00	91.00	GK.BSM.0300
GDLPB4119101EX	4"	97.60	119.00	GK.BSM.0400

QR CODE

6.1.1

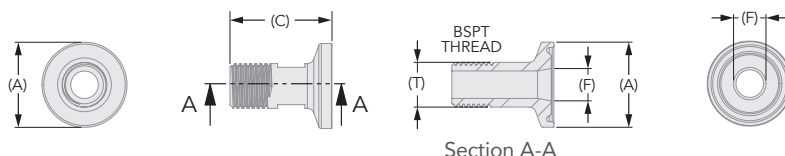
ACL[®] BSP Male Adaptors

Imperial

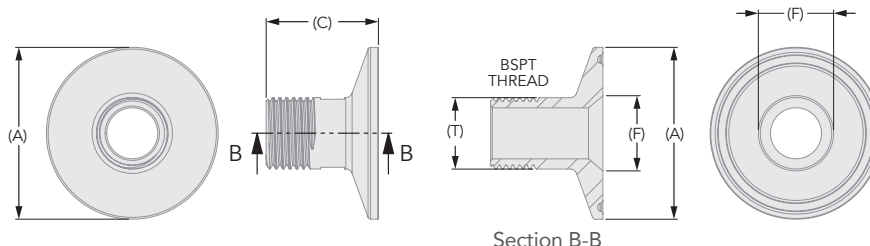
Material
1.4404



Type A – 25.0mm Flange



Type B – 34.0mm to 64.0mm Flange



BSP Male Adaptors – Imperial

Part Number	Ferrule – BSPM Size		Dimension (mm)			Weight (kg)	Legacy Part Number
	Nominal Size	Connection (T)	Flange (A)	Mating (F)	Length (C)		
ADPAMB127317006L	1/2"	1/8"	25.00	10.00	30.00	0.03	AM.050.018
ADPAMB127635006L		1/4"	25.00	10.00	30.00	0.03	AM.050.025
ADPAMB127952006L		3/8"	25.00	10.00	30.00	0.04	AM.050.038
ADPAMB127127006L		1/2"	25.00	10.00	32.00	0.06	AM.050.050
ADPAMB127195006L		3/4"	25.00	10.00	35.00	0.09	AM.050.075
ADPAMB195317006L	3/4"	1/8"	25.00	16.00	30.00	0.02	AM.075.018
ADPAMB195635006L		1/4"	25.00	16.00	30.00	0.02	AM.075.025
ADPAMB195952006L		3/8"	25.00	16.00	30.00	0.04	AM.075.038
ADPAMB195127006L		1/2"	25.00	16.00	32.00	0.03	AM.075.050
ADPAMB195195006L		3/4"	25.00	16.00	35.00	0.08	AM.075.075
ADPAMB025317006L	1"	1/8"	50.50	22.00	30.00	0.09	AM.100.018
ADPAMB025635006L		1/4"	50.50	22.00	30.00	0.09	AM.100.025
ADPAMB025952006L		3/8"	50.50	22.00	30.00	0.10	AM.100.038
ADPAMB025127006L		1/2"	50.50	22.00	35.00	0.10	AM.100.050
ADPAMB025195006L		3/4"	50.50	22.00	35.00	0.11	AM.100.075
ADPAMB025025006L		1"	50.50	22.00	35.00	0.19	AM.100.100
ADPAMB038317006L	1 1/2"	1/8"	50.50	35.00	35.00	0.07	AM.150.018
ADPAMB038635006L		1/4"	50.50	35.00	35.00	0.07	AM.150.025
ADPAMB038952006L		3/8"	50.50	35.00	35.00	0.07	AM.150.038
ADPAMB038127006L		1/2"	50.50	35.00	35.00	0.09	AM.150.050
ADPAMB038195006L		3/4"	50.50	35.00	35.00	0.10	AM.150.075
ADPAMB038025006L		1"	50.50	35.00	35.00	0.12	AM.150.100
ADPAMB051127006L	2"	1/2"	64.00	47.60	40.00	0.16	AM.200.050
ADPAMB051195006L		3/4"	64.00	47.60	40.00	0.17	AM.200.075
ADPAMB051025006L		1"	64.00	47.60	40.00	0.18	AM.200.100
ADPAMB051038006L		1 1/2"	64.00	47.60	40.00	0.19	AM.200.150
ADPAMB051051006L		2"	64.00	47.60	40.00	0.20	AM.200.200

QR
CODE

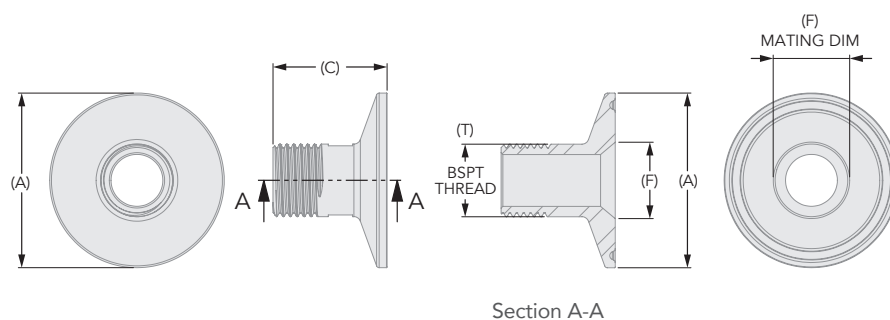
6.1.2

ACL[®] BSP Male Adaptors

Metric

 Material
1.4404


Type B – 34.0mm Flange



BSP Male Adaptors – Metric

Part Number	Ferrule – BSPM Size		Dimension (mm)			Weight (kg)	Legacy Part Number
	Nominal Size	Connection (T)	Flange (A)	Mating (F)	Length (C)		
ADPAMB013635006L	DIN 10	¼"	34.00	10.00	30.00	0.05	AM.D10.025
ADPAMB013952006L		⅜"	34.00	10.00	30.00	0.06	AM.D10.038
ADPAMB013127006L		½"	34.00	10.00	30.00	0.07	AM.D10.050
ADPAMB013195006L		¾"	34.00	10.00	30.00	0.07	AM.D10.075
ADPAMB019635006L	DIN 15	¼"	34.00	16.00	30.00	0.05	AM.D15.025
ADPAMB019127006L		⅜"	34.00	16.00	30.00	0.06	AM.D15.038
ADPAMB019195006L		½"	34.00	16.00	30.00	0.07	AM.D15.050
ADPAMB023635006L		¾"	34.00	16.00	30.00	0.08	AM.D15.075
ADPAMB023952006L	DIN 20	¼"	34.00	20.00	30.00	0.05	AM.D20.025
ADPAMB023127006L		⅜"	34.00	20.00	30.00	0.05	AM.D20.038
ADPAMB023195006L		½"	34.00	20.00	30.00	0.06	AM.D20.050
ADPAMB023025006L		¾"	34.00	20.00	30.00	0.07	AM.D20.075

QR
CODE

6.1.3

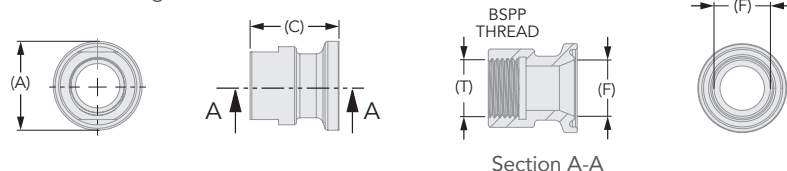
ACL[®] BSP Female Adaptors

Imperial

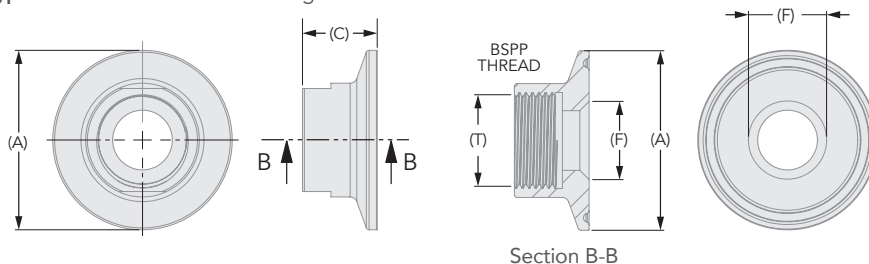
Material
1.4404



Type A – 25.0mm Flange



Type B – 50.5mm to 64.0mm Flange



BSP Female Adaptors – Imperial

Part Number	Ferrule – BSPP Size		Dimension (mm)			Weight (kg)	Legacy Part Number
	Nominal Size	Connection (T)	Flange (A)	Mating (F)	Length (C)		
ADPAFB127317006L	1/2"	1/8"	25.00	10.00	25.00	0.05	AF.050.018
ADPAFB127635006L		1/4"	25.00	10.00	25.00	0.05	AF.050.025
ADPAFB127952006L		3/8"	25.00	10.00	25.00	0.06	AF.050.038
ADPAFB127127006L		1/2"	25.00	10.00	30.00	0.06	AF.050.050
ADPAFB127195006L		3/4"	25.00	10.00	30.00	0.07	AF.050.075
ADPAFB195317006L	3/4"	1/8"	25.00	16.00	25.00	0.05	AF.075.018
ADPAFB195635006L		1/4"	25.00	16.00	25.00	0.05	AF.075.025
ADPAFB195952006L		3/8"	25.00	16.00	25.00	0.06	AF.075.038
ADPAFB195127006L		1/2"	25.00	16.00	30.00	0.06	AF.075.050
ADPAFB195195006L		3/4"	25.00	16.00	30.00	0.06	AF.075.075
ADPAFB025317006L	1"	1/8"	50.50	22.00	25.00	0.14	AF.100.018
ADPAFB025635006L		1/4"	50.50	22.00	25.00	0.12	AF.100.025
ADPAFB025952006L		3/8"	50.50	22.00	25.00	0.11	AF.100.038
ADPAFB025127006L		1/2"	50.50	22.00	25.00	0.11	AF.100.050
ADPAFB025195006L		3/4"	50.50	22.00	25.00	0.10	AF.100.075
ADPAFB025025006L		1"	50.50	22.00	25.00	0.11	AF.100.100
ADPAFB038317006L	1 1/2"	1/8"	50.50	35.00	25.00	0.11	AF.150.018
ADPAFB038635006L		1/4"	50.50	35.00	25.00	0.11	AF.150.025
ADPAFB038952006L		3/8"	50.50	35.00	25.00	0.09	AF.150.038
ADPAFB038127006L		1/2"	50.50	35.00	25.00	0.09	AF.150.050
ADPAFB038195006L		3/4"	50.50	35.00	25.00	0.09	AF.150.075
ADPAFB038025006L		1"	50.50	35.00	25.00	0.10	AF.150.100
ADPAFB051127006L	2"	1/2"	64.00	47.60	25.00	0.14	AF.200.050
ADPAFB051195006L		3/4"	64.00	47.60	25.00	0.14	AF.200.075
ADPAFB051025006L		1"	64.00	47.60	25.00	0.13	AF.200.100
ADPAFB051038006L		1 1/2"	64.00	47.60	25.00	0.13	AF.200.150
ADPAFB051051006L		2"	64.00	47.60	25.00	0.13	AF.200.200

QR
CODE

6.1.4

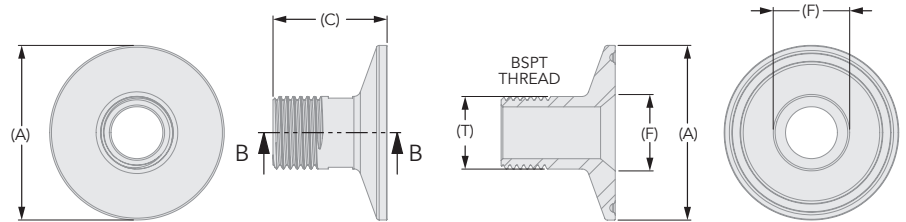
ACL[®] BSP Female Adaptors

Metric

Material
1.4404



Type B – 34.0mm Flange



Section B-B

BSP Female Adaptors – Metric

Part Number	Ferrule – BSPF Size		Dimension (mm)			Weight (kg)	Legacy Part Number
	Nominal Size	Connection (T)	Flange (A)	Mating (F)	Length (C)		
ADPAFB013635006L	DIN 10	¼"	34.00	10.00	25.00	0.08	AFD10.025
ADPAFB013952006L		⅜"	34.00	10.00	25.00	0.08	AFD10.038
ADPAFB013127006L		½"	34.00	10.00	30.00	0.07	AFD10.050
ADPAFB013195006L		¾"	34.00	10.00	30.00	0.07	AFD10.075
ADPAFB019635006L	DIN 15	¼"	34.00	16.00	25.00	0.07	AFD15.025
ADPAFB019127006L		⅜"	34.00	16.00	25.00	0.07	AFD15.038
ADPAFB019195006L		½"	34.00	16.00	30.00	0.06	AFD15.050
ADPAFB023635006L		¾"	34.00	16.00	30.00	0.06	AFD15.075
ADPAFB023952006L	DIN 20	¼"	34.00	20.00	25.00	0.07	AFD20.025
ADPAFB023127006L		⅜"	34.00	20.00	25.00	0.07	AFD20.038
ADPAFB023195006L		½"	34.00	20.00	30.00	0.06	AFD20.050
ADPAFB023025006L		¾"	34.00	20.00	30.00	0.06	AFD20.075

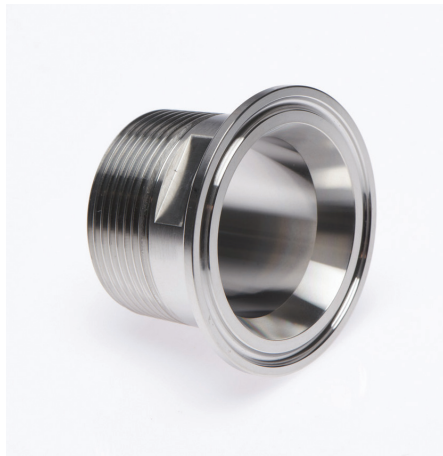
QR
CODE

6.2.1

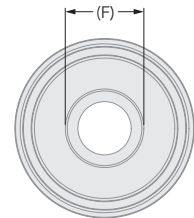
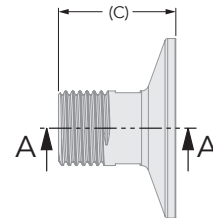
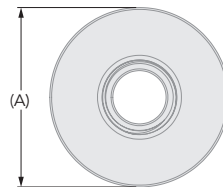
ACL® NPT Male Adaptors

Imperial

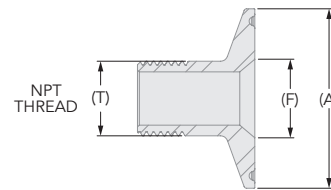
Material
1.4404



Type A – 25.0mm Flange



Type B – 50.5mm to 64.0mm Flange



Section A-A

NPT Male Adaptors – Imperial

Part Number	Ferrule – NPTM Size		Dimension (mm)			Weight (kg)	Legacy Part Number
	Nominal Size	Connection (T)	Flange (A)	Mating (F)	Length (C)		
ADPAMN127317006L	1/2"	1/8"	25.00	10.00	30.00	0.03	AM.NPT.050.018
ADPAMN127635006L		1/4"	25.00	10.00	30.00	0.03	AM.NPT.050.025
ADPAMN127952006L		3/8"	25.00	10.00	30.00	0.04	AM.NPT.050.038
ADPAMN127127006L		1/2"	25.00	10.00	32.00	0.06	AM.NPT.050.050
ADPAMN127195006L		3/4"	25.00	10.00	35.00	0.09	AM.NPT.050.075
ADPAMN195317006L	3/4"	1/8"	25.00	16.00	30.00	0.02	AM.NPT.075.018
ADPAMN195635006L		1/4"	25.00	16.00	30.00	0.02	AM.NPT.075.025
ADPAMN195952006L		3/8"	25.00	16.00	30.00	0.04	AM.NPT.075.038
ADPAMN195127006L		1/2"	25.00	16.00	32.00	0.03	AM.NPT.075.050
ADPAMN195195006L		3/4"	25.00	16.00	35.00	0.08	AM.NPT.075.075
ADPAMN025317006L	1"	1/8"	50.50	22.00	30.00	0.09	AM.NPT.100.018
ADPAMN025635006L		1/4"	50.50	22.00	30.00	0.09	AM.NPT.100.025
ADPAMN025952006L		3/8"	50.50	22.00	30.00	0.10	AM.NPT.100.038
ADPAMN025127006L		1/2"	50.50	22.00	35.00	0.10	AM.NPT.100.050
ADPAMN025195006L		3/4"	50.50	22.00	35.00	0.11	AM.NPT.100.075
ADPAMN025025006L		1"	50.50	22.00	35.00	0.19	AM.NPT.100.100
ADPAMN038317006L	1 1/2"	1/8"	50.50	35.00	35.00	0.07	AM.NPT.150.018
ADPAMN038635006L		1/4"	50.50	35.00	35.00	0.07	AM.NPT.150.025
ADPAMN038952006L		3/8"	50.50	35.00	35.00	0.07	AM.NPT.150.038
ADPAMN038127006L		1/2"	50.50	35.00	35.00	0.09	AM.NPT.150.050
ADPAMN038195006L		3/4"	50.50	35.00	35.00	0.10	AM.NPT.150.075
ADPAMN038025006L		1"	50.50	35.00	35.00	0.12	AM.NPT.150.100
ADPAMN051127006L	2"	1/2"	64.00	47.60	40.00	0.16	AM.NPT.200.050
ADPAMN051195006L		3/4"	64.00	47.60	40.00	0.17	AM.NPT.200.075
ADPAMN051025006L		1"	64.00	47.60	40.00	0.18	AM.NPT.200.100
ADPAMN051038006L		1 1/2"	64.00	47.60	40.00	0.19	AM.NPT.200.150
ADPAMN051051006L		2"	64.00	47.60	40.00	0.20	AM.NPT.200.200

QR
CODE

6.2.2

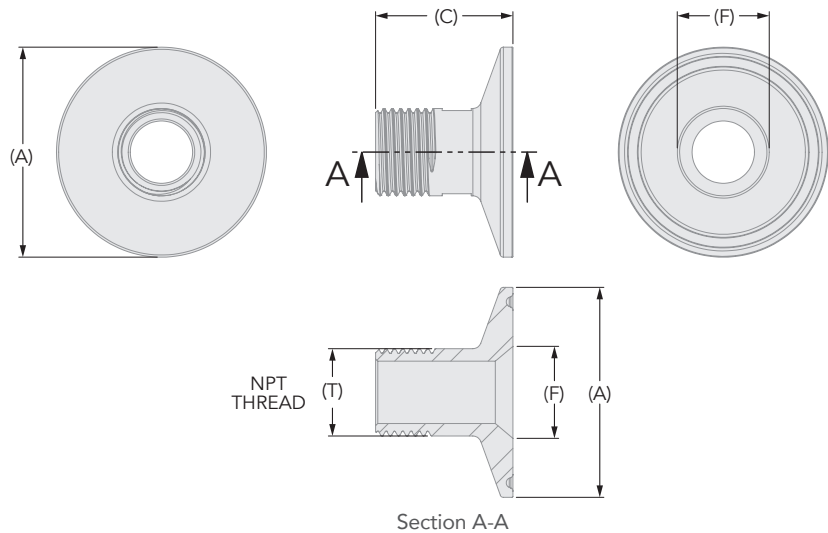
ACL® NPT Male Adaptors

Metric

Material
1.4404



Type B – 34.0mm Flange



NPT Male Adaptors – Metric

Part Number	Ferrule – NPTM Size		Dimension (mm)			Weight (kg)	Legacy Part Number
	Nominal Size	Connection (T)	Flange (A)	Mating (F)	Length (C)		
ADPAMN013635006L	DIN 10	¼"	34.00	10.00	30.00	0.05	AM.NPT.D10.025
ADPAMN013952006L		⅜"	34.00	10.00	30.00	0.06	AM.NPT.D10.038
ADPAMN013127006L		½"	34.00	10.00	30.00	0.07	AM.NPT.D10.050
ADPAMN013195006L		¾"	34.00	10.00	30.00	0.08	AM.NPT.D10.075
ADPAMN019635006L	DIN 15	¼"	34.00	16.00	30.00	0.05	AM.NPT.D15.025
ADPAMN019127006L		⅜"	34.00	16.00	30.00	0.06	AM.NPT.D15.038
ADPAMN019195006L		½"	34.00	16.00	30.00	0.07	AM.NPT.D15.050
ADPAMN023635006L		¾"	34.00	16.00	30.00	0.08	AM.NPT.D15.075
ADPAMN023952006L	DIN 20	¼"	34.00	20.00	30.00	0.05	AM.NPT.D20.025
ADPAMN023127006L		⅜"	34.00	20.00	30.00	0.05	AM.NPT.D20.038
ADPAMN023195006L		½"	34.00	20.00	30.00	0.06	AM.NPT.D20.050
ADPAMN023025006L		¾"	34.00	20.00	30.00	0.07	AM.NPT.D20.075

QR
CODE

6.2.3

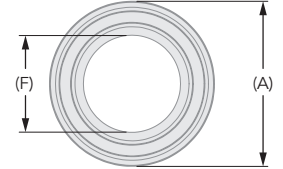
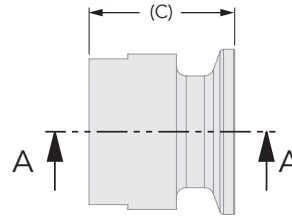
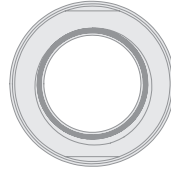
ACL® NPT Female Adaptors

Imperial

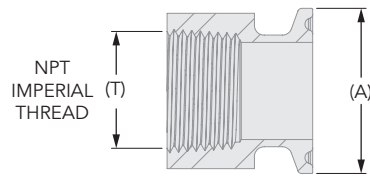
Material
1.4404



Type A – 25.0mm Flange



Type B – 50.5mm to 64.0mm Flange



NPT Female Adaptors – Imperial

Part Number	Ferrule – NPTF Size		Dimension (mm)			Weight (kg)	Legacy Part Number
	Nominal Size	Connection (T)	Flange (A)	Mating (F)	Length (C)		
ADPAFN127317006L	1/2"	1/8"	25.40	10.00	25.00	0.05	AF.NPT.050.018
ADPAFN127635006L		1/4"	25.40	10.00	25.00	0.05	AF.NPT.050.025
ADPAFN127952006L		3/8"	25.40	10.00	25.00	0.06	AF.NPT.050.038
ADPAFN127127006L		1/2"	25.40	10.00	30.00	0.06	AF.NPT.050.050
ADPAFN127195006L		3/4"	25.40	10.00	30.00	0.07	AF.NPT.050.075
ADPAFN195317006L	3/4"	1/8"	25.40	16.00	25.00	0.05	AF.NPT.075.018
ADPAFN195635006L		1/4"	25.40	16.00	25.00	0.05	AF.NPT.075.025
ADPAFN195952006L		3/8"	25.40	16.00	25.00	0.06	AF.NPT.075.038
ADPAFN195127006L		1/2"	25.40	16.00	30.00	0.06	AF.NPT.075.050
ADPAFN195195006L		3/4"	25.40	16.00	30.00	0.06	AF.NPT.075.075
ADPAFN025317006L	1"	1/8"	50.50	22.00	25.00	0.14	AF.NPT.100.018
ADPAFN025635006L		1/4"	50.50	22.00	25.00	0.12	AF.NPT.100.025
ADPAFN025952006L		3/8"	50.50	22.00	25.00	0.11	AF.NPT.100.038
ADPAFN025127006L		1/2"	50.50	22.00	25.00	0.11	AF.NPT.100.050
ADPAFN025195006L		3/4"	50.50	22.00	25.00	0.10	AF.NPT.100.075
ADPAFN025025006L		1"	50.50	22.00	25.00	0.11	AF.NPT.100.100
ADPAFN038317006L	1 1/2"	1/8"	50.50	35.00	25.00	0.11	AF.NPT.150.018
ADPAFN038635006L		1/4"	50.50	35.00	25.00	0.11	AF.NPT.150.025
ADPAFN038952006L		3/8"	50.50	35.00	25.00	0.09	AF.NPT.150.038
ADPAFN038127006L		1/2"	50.50	35.00	25.00	0.09	AF.NPT.150.050
ADPAFN038195006L		3/4"	50.50	35.00	25.00	0.09	AF.NPT.150.075
ADPAFN038025006L		1"	50.50	35.00	25.00	0.10	AF.NPT.150.100
ADPAFN051127006L	2"	1/2"	64.00	47.60	25.00	0.14	AF.NPT.200.050
ADPAFN051195006L		3/4"	64.00	47.60	25.00	0.14	AF.NPT.200.075
ADPAFN051025006L		1"	64.00	47.60	25.00	0.13	AF.NPT.200.100
ADPAFN051038006L		1 1/2"	64.00	47.60	25.00	0.13	AF.NPT.200.150
ADPAFN051051006L		2"	64.00	47.60	25.00	0.13	AF.NPT.200.200

QR CODE

6.2.4

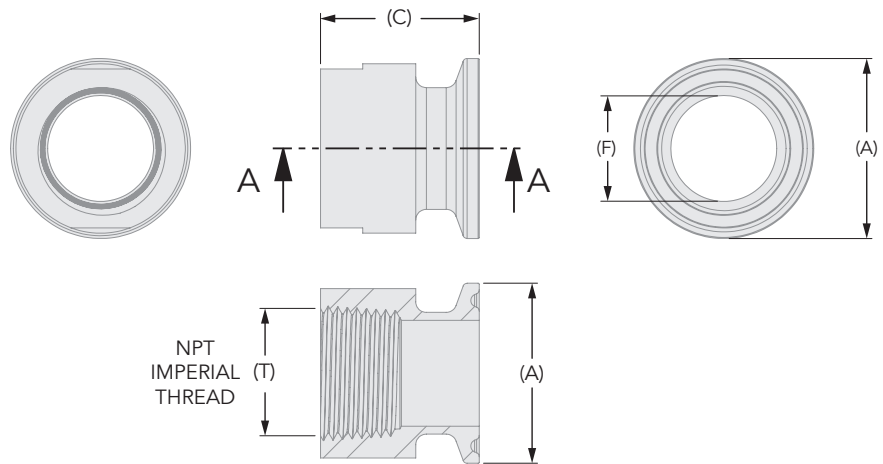
ACL[®] NPT Female Adaptors

Metric

Material
1.4404



Type B – 34.0mm Flange



Section A-A

NPT Female Adaptors – Metric

Part Number	Ferrule – NPTF Size		Dimension (mm)			Weight (kg)	Legacy Part Number
	Nominal Size	Connection (T)	Flange (A)	Mating (F)	Length (C)		
ADPAFN013635006L	DIN 10	¼"	34.00	10.00	25.00	0.08	AF.NPT.D10.025
ADPAFN013952006L		⅜"	34.00	10.00	25.00	0.08	AF.NPT.D10.038
ADPAFN013127006L		½"	34.00	10.00	30.00	0.07	AF.NPT.D10.050
ADPAFN013195006L		¾"	34.00	10.00	30.00	0.07	AF.NPT.D10.075
ADPAFN019635006L	DIN 15	¼"	34.00	16.00	25.00	0.07	AF.NPT.D15.025
ADPAFN019127006L		⅜"	34.00	16.00	25.00	0.07	AF.NPT.D15.038
ADPAFN019195006L		½"	34.00	16.00	30.00	0.06	AF.NPT.D15.050
ADPAFN023635006L		¾"	34.00	16.00	30.00	0.06	AF.NPT.D15.075
ADPAFN023952006L	DIN 20	¼"	34.00	20.00	25.00	0.07	AF.NPT.D20.025
ADPAFN023127006L		⅜"	34.00	20.00	25.00	0.07	AF.NPT.D20.038
ADPAFN023195006L		½"	34.00	20.00	30.00	0.06	AF.NPT.D20.050
ADPAFN023025006L		¾"	34.00	20.00	30.00	0.06	AF.NPT.D20.075

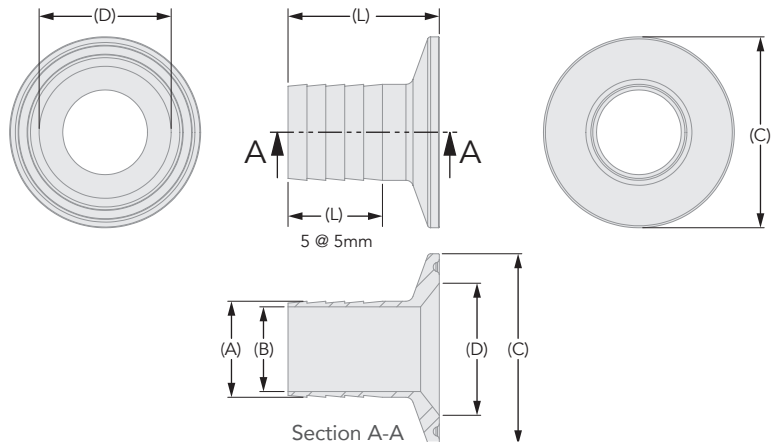
QR
CODE

7.1

ACL[®] Hosetails

Imperial

Material
1.4404



Hosetails – Imperial

Part Number	Ferrule – Hosetail		Dimension (mm)					Weight (kg)	Legacy Part Number
	Nominal Size	Connection (T)	Hose OD (D)	Hose ID (E)	Flange (A)	Mating (F)	Length (C)		
ADPAHI1276350326L	1/2"	1/4"	6.40	3.40	25.40	10.00	32.00	0.02	HT.050.025
ADPAHI1279520326L		3/8"	9.50	6.50	25.40	10.00	32.00	0.02	HT.050.038
ADPAHI1271270326L		1/2"	12.70	9.70	25.40	10.00	32.00	0.02	HT.050.050
ADPAHI1271950326L		3/4"	19.00	16.00	25.40	10.00	32.00	0.02	HT.050.075
ADPAHI1956350326L	3/4"	1/4"	6.40	3.40	25.40	16.00	32.00	0.02	HT.075.025
ADPAHI1959520326L		3/8"	9.50	6.50	25.40	16.00	32.00	0.02	HT.075.038
ADPAHI1951270326L		1/2"	12.70	9.70	25.40	16.00	32.00	0.02	HT.075.050
ADPAHI1951950326L		3/4"	19.00	16.00	25.40	16.00	32.00	0.02	HT.075.075
ADPAHI0256350406L	1"	1/4"	6.40	3.40	50.50	22.50	40.00	0.08	HT.100.025
ADPAHI0259520406L		3/8"	9.50	6.50	50.50	22.50	40.00	0.08	HT.100.038
ADPAHI0251270406L		1/2"	12.70	9.70	50.50	22.50	40.00	0.08	HT.100.050
ADPAHI0251950406L		3/4"	19.00	16.00	50.50	22.50	40.00	0.09	HT.100.075
ADPAHI0250250406L		1"	26.00	23.00	50.50	22.50	40.00	0.09	HT.100.100
ADPAHI0386350406L	1 1/2"	1/4"	6.40	3.40	50.50	35.00	40.00	0.07	HT.150.025
ADPAHI0389520406L		3/8"	9.50	6.50	50.50	35.00	40.00	0.07	HT.150.038
ADPAHI0381270406L		1/2"	12.70	9.70	50.50	35.00	40.00	0.07	HT.150.050
ADPAHI0381950406L		3/4"	19.00	16.00	50.50	35.00	40.00	0.07	HT.150.075
ADPAHI0380250406L		1"	26.00	23.00	50.50	35.00	40.00	0.08	HT.150.100
ADPAHI0380380406L		1 1/2"	38.10	35.00	50.50	35.00	40.00	0.08	HT.150.150
ADPAHI0511270606L	2"	1/2"	12.70	9.70	64.00	48.00	60.00	0.12	HT.200.050
ADPAHI0511950606L		3/4"	19.00	16.00	64.00	48.00	60.00	0.12	HT.200.075
ADPAHI0510250606L		1"	26.00	23.00	64.00	48.00	60.00	0.12	HT.200.100
ADPAHI0510380606L		1 1/2"	38.10	35.00	64.00	48.00	60.00	0.14	HT.200.150
ADPAHI0510510606L		2"	50.80	47.00	64.00	48.00	60.00	0.17	HT.200.200

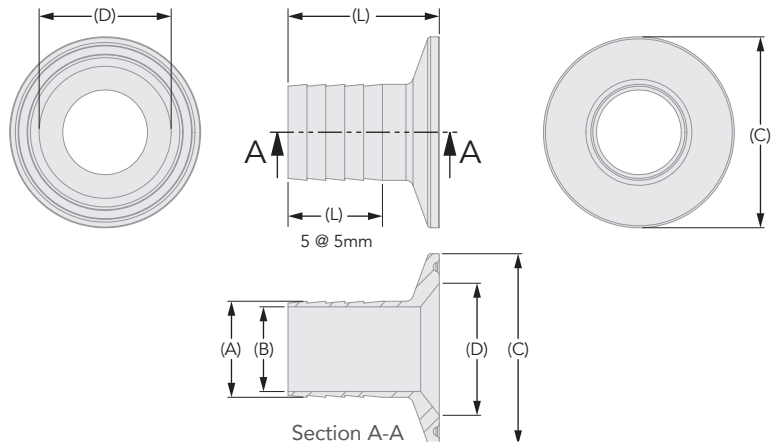
QR CODE

7.2

ACL[®] Hosetails

Metric

Material
1.4404



Hosetails – Metric

Part Number	Ferrule – Hosetail		Dimension (mm)					Weight (kg)	Legacy Part Number
	Nominal Size	Connection (T)	Hose OD (D)	Hose ID (E)	Flange (A)	Mating (F)	Length (C)		
ADPAHM0136350406L	DIN 10	¼"	6.40	3.40	34.00	10.00	40.00	0.04	HT.D10.025
ADPAHM0139520406L		⅜"	9.50	6.50	34.00	10.00	40.00	0.04	HT.D10.038
ADPAHM0131270406L		½"	12.70	9.70	34.00	10.00	40.00	0.04	HT.D10.050
ADPAHM0131950406L		¾"	19.00	16.00	34.00	10.00	40.00	0.04	HT.D10.075
ADPAHM0196350406L	DIN 15	¼"	6.40	3.40	34.00	16.00	40.00	0.04	HT.D15.025
ADPAHM0199520406L		⅜"	9.50	6.50	34.00	16.00	40.00	0.04	HT.D15.038
ADPAHM0191270406L		½"	12.70	9.70	34.00	16.00	40.00	0.04	HT.D15.050
ADPAHM0191950406L		¾"	19.00	16.00	34.00	16.00	40.00	0.04	HT.D15.075
ADPAHM0296350406L	DIN 20	¼"	6.40	3.40	34.00	20.00	40.00	0.04	HT.D20.025
ADPAHM0299520406L		⅜"	9.50	6.50	34.00	20.00	40.00	0.04	HT.D20.038
ADPAHM0291270406L		½"	12.70	9.70	34.00	20.00	40.00	0.04	HT.D20.050
ADPAHM0291950406L		¾"	19.00	16.00	34.00	20.00	40.00	0.04	HT.D20.075
ADPAHM1270080326L	½"	8 x 5	8.00	5.00	25.40	10.00	32.00	0.02	HT.050.008
ADPAHM1270140406L		14 x 11	14.00	6.50	25.40	10.00	40.00	0.02	HT.050.014
ADPAHM1270160406L		16 x 13	16.00	9.70	25.40	10.00	40.00	0.02	HT.050.016
ADPAHM1950080326L	¾"	8 x 5	8.00	16.00	25.40	16.00	32.00	0.02	HT.075.008
ADPAHM1950140406L		14 x 11	14.00	23.00	25.40	16.00	40.00	0.02	HT.075.014
ADPAHM1950160406L		16 x 13	16.00	35.00	25.40	16.00	40.00	0.02	HT.075.016
ADPAHM0250080326L	1"	8 x 5	8.00	3.40	50.50	22.50	40.00	0.02	HT.100.008
ADPAHM0250140406L		14 x 11	14.00	6.50	50.50	22.50	40.00	0.08	HT.100.014
ADPAHM0250160406L		16 x 13	16.00	9.70	50.50	22.50	40.00	0.08	HT.100.016
ADPAHM0250220406L		22 x 19	22.00	16.00	50.50	22.50	40.00	0.09	HT.100.022
ADPAHM0380080326L	1½"	8 x 5	8.00	3.40	50.50	35.00	40.00	0.07	HT.150.008
ADPAHM0380140406L		14 x 11	14.00	6.50	50.50	35.00	40.00	0.08	HT.150.014
ADPAHM0380160406L		16 x 13	16.00	9.70	50.50	35.00	40.00	0.08	HT.150.016
ADPAHM0380220406L		22 x 19	22.00	16.00	50.50	35.00	40.00	0.09	HT.150.022

QR
CODE

8.1

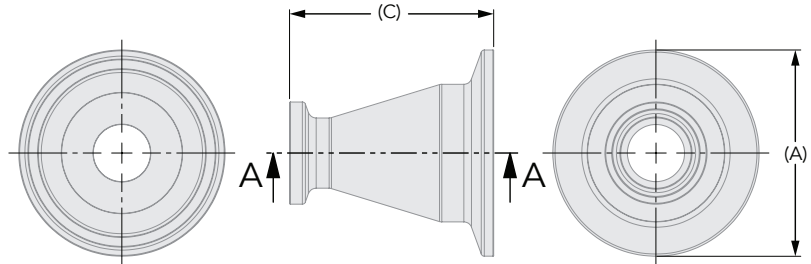
ACL® Concentric Reducers

Ferrule-ended

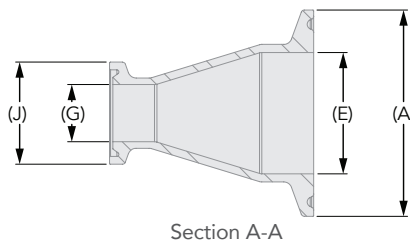
Material
1.4404



Type A – 25.0mm Flange



Type B – 50.5mm to 338.0mm Flange



Section A-A

Concentric Reducers – Ferrule-ended

Part Number	Ferrule – Ferrule		Dimension (mm)					Weight (kg)	Legacy Part Number
	Nominal Size 1	Nominal Size 2	Flange 1 (A)	ID 1 (E)	Flange 2 (J)	ID 2 (G)	Length (C)		
PFRCB4195127040SD6L	¾"	½"	25.40	15.90	25.00	9.50	40.00	0.07	CR.075.050
PFRCB4025127050SD6L	1"	½"	50.50	22.20	25.00	9.50	50.00	0.12	CR.100.050
PFRCB4025195050SD6L		¾"	50.50	22.20	25.00	15.80	50.00	0.11	CR.100.075
PFRCB4038127050SD6L	1½"	½"	50.50	34.90	25.00	9.50	50.00	0.18	CR.150.050
PFRCB4038195050SD6L		¾"	50.50	34.90	25.00	15.80	50.00	0.09	CR.150.075
PFRCB4038025050SD6L		1"	50.50	34.90	50.50	22.20	50.00	0.15	CR.150.100
PFRCB4051127050SD6L	2"	½"	64.00	47.60	25.00	9.50	50.00	0.20	CR.200.050
PFRCB4051195050SD6L		¾"	64.00	47.60	25.00	15.80	50.00	0.20	CR.200.075
PFRCB4051025050SD6L		1"	64.00	47.60	50.50	22.20	50.00	0.20	CR.200.100
PFRCB4051038050SD6L		1½"	64.00	47.60	50.50	34.90	50.00	0.18	CR.200.150
PFRCB4063127060SD6L	2½"	½"	77.50	60.30	25.00	9.50	60.00	0.25	CR.250.050
PFRCB4063195060SD6L		¾"	77.50	60.30	25.00	15.80	60.00	0.25	CR.250.075
PFRCB4063025060SD6L		1"	77.50	60.30	50.50	22.20	60.00	0.27	CR.250.100
PFRCB4063038060SD6L		1½"	77.50	60.30	50.50	34.90	60.00	0.25	CR.250.150
PFRCB4063051060SD6L		2"	77.50	60.30	64.00	47.60	60.00	0.23	CR.250.200
PFRCB4076127060SD6L	3"	½"	91.00	73.00	25.00	9.50	60.00	0.29	CR.300.050
PFRCB4076195060SD6L		¾"	91.00	73.00	25.00	15.80	60.00	0.29	CR.300.075
PFRCB4076025060SD6L		1"	91.00	73.00	50.50	22.20	60.00	0.31	CR.300.100
PFRCB4076038060SD6L		1½"	91.00	73.00	50.50	34.90	60.00	0.29	CR.300.150
PFRCB4076051060SD6L		2"	91.00	73.00	64.00	47.60	60.00	0.29	CR.300.200
PFRCB4076063060SD6L		2½"	91.00	73.00	77.50	60.30	60.00	0.29	CR.300.250

QR CODE

8.2

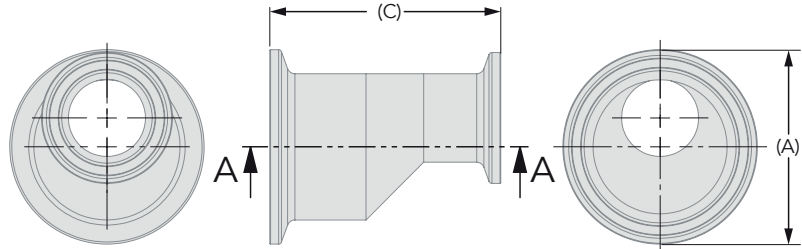
ACL[®] Eccentric Reducers

Ferrule-ended

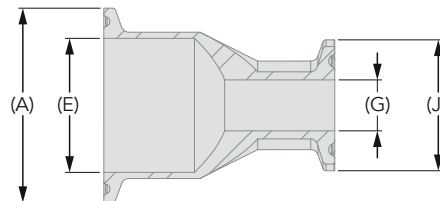
Material
1.4404



Type A – 25.0mm Flange



Type B – 50.5mm to 338.0mm Flange



Section A-A

Eccentric Reducers – Ferrule-ended

Part Number	Ferrule – Ferrule		Dimension (mm)					Weight (kg)	Legacy Part Number
	Nominal Size 1	Nominal Size 2	Flange 1 (A)	ID 1 (E)	Flange 2 (J)	ID 2 (G)	Length (C)		
	3/4"	1/2"	25.40	15.90	25.40	9.50	50.80	0.07	ERD.075.050
	1"	1/2"	50.50	22.20	25.40	9.50	63.50	0.12	ERD.100.050
		3/4"	50.50	22.20	25.40	15.80	50.80	0.11	ERD.100.075
	1 1/2"	1/2"	50.50	34.90	25.40	9.50	88.90	0.18	ERD.150.050
		3/4"	50.50	34.90	25.40	15.80	76.20	0.09	ERD.150.075
		1"	50.50	34.90	50.50	22.20	76.20	0.15	ERD.150.100
	2"	1/2"	64.00	47.60	25.40	9.50	139.70	0.20	ERD.200.050
		3/4"	64.00	47.60	25.40	15.80	127.00	0.20	ERD.200.075
		1"	64.00	47.60	50.50	22.20	127.00	0.20	ERD.200.100
		1 1/2"	64.00	47.60	50.50	34.90	76.20	0.18	ERD.200.150
	2 1/2"	1/2"	77.50	60.30	25.40	9.50	190.50	0.25	ERD.250.050
		3/4"	77.50	60.30	25.40	15.80	177.80	0.25	ERD.250.075
		1"	77.50	60.30	50.50	22.20	177.80	0.27	ERD.250.100
		1 1/2"	77.50	60.30	50.50	34.90	127.00	0.25	ERD.250.150
		2"	77.50	60.30	64.00	47.60	76.20	0.23	ERD.250.200
	3"	1"	91.00	73.00	25.40	9.50	228.60	0.31	ERD.300.100
		1 1/2"	91.00	73.00	25.40	15.80	177.80	0.29	ERD.300.150
		2"	91.00	73.00	50.50	22.20	127.00	0.29	ERD.300.200
		2 1/2"	91.00	73.00	50.50	34.90	76.20	0.29	ERD.300.250

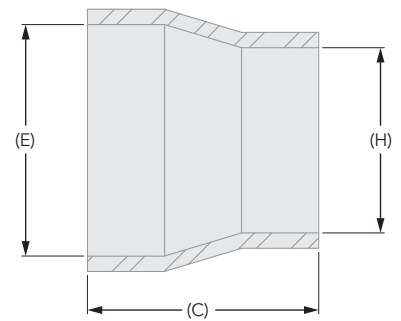
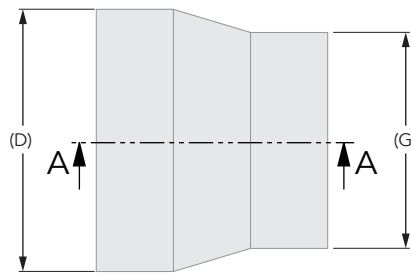
QR CODE

8.3

ACL® Pipe to Tube Reducers

Schedules 10 and 40

Material
1.4404



Section A-A

Pipe to Tube Reducers – Schedule 10

Part Number	Pipe to Tube Size		Dimension (mm)					Weight (kg)	Legacy Part Number
	Schedule 10	BS4825	OD 1 (D)	ID 1 (E)	OD 2 (G)	ID 2 (H)	Length (C)		
DWPRB2021127030SD6L	½"	½"	21.34	17.12	12.70	9.52	30.00	0.07	PTRD.S10.050
DWPRB2026195030SD6L	¾"	½"	26.67	22.45	19.50	15.87	30.00	0.12	PTRD.S10.075
DWPRB2033025030SD6L	1"	¾"	33.40	27.86	25.65	22.20	30.00	0.11	PTRD.S10.100
DWPRB2048038030SD6L	1½"	½"	48.26	47.72	38.35	34.90	30.00	0.18	PTRD.S10.150
DWPRB2060051030SD6L	2"	¾"	60.33	54.79	51.05	47.60	30.00	0.90	PTRD.S10.200
DWPRB2073063030SD6L	2½"	1"	73.03	66.93	63.75	60.30	30.00	0.15	PTRD.S10.250
DWPRB2089076030SD6L	3"	½"	88.90	82.80	76.45	73.00	30.00	0.20	PTRD.S10.300
DWPRB2101089030SD6L	3½"	¾"	101.50	95.50	88.90	84.70	30.00	0.20	PTRD.S10.350
DWPRB2114101030SD6L	4"	1"	114.30	108.20	101.85	97.60	30.00	0.20	PTRD.S10.400
DWPRB2168154030SD6L	6"	1½"	168.28	161.48	154.00	150.00	30.00	0.18	PTRD.S10.600

Pipe to Tube Reducers – Schedule 40

Part Number	Pipe to Tube Size		Dimension (mm)					Weight (kg)	Legacy Part Number
	Schedule 40	BS4825	OD 1 (D)	ID 1 (E)	OD 2 (G)	ID 2 (H)	Length (C)		
DWPRB3021127030SD6L	½"	½"	21.34	15.80	12.70	9.52	30.00	0.07	PTRD.S40.050
DWPRB3026195030SD6L	¾"	½"	26.67	20.93	19.50	15.87	30.00	0.12	PTRD.S40.075
DWPRB3033025030SD6L	1"	¾"	33.40	26.64	25.65	22.20	30.00	0.11	PTRD.S40.100
DWPRB3048038030SD6L	1½"	½"	48.26	40.88	38.35	34.90	30.00	0.18	PTRD.S40.150
DWPRB3060051030SD6L	2"	¾"	60.33	52.51	51.05	47.60	30.00	0.90	PTRD.S40.200
DWPRB3073063030SD6L	2½"	1"	73.03	62.71	63.75	60.30	30.00	0.15	PTRD.S40.250
DWPRB3089076030SD6L	3"	½"	88.90	77.92	76.45	73.00	30.00	0.20	PTRD.S40.300
DWPRB3101089030SD6L	3½"	¾"	101.50	90.12	88.90	84.70	30.00	0.20	PTRD.S40.350
DWPRB3114101030SD6L	4"	1"	114.30	102.26	101.85	97.60	30.00	0.20	PTRD.S40.400
DWPRB3168154030SD6L	6"	1½"	168.28	154.06	154.00	150.00	30.00	0.18	PTRD.S40.600

QR CODE